

BUSTA

MUTO acoustic
ceiling baffle solutions

 SOELBERG

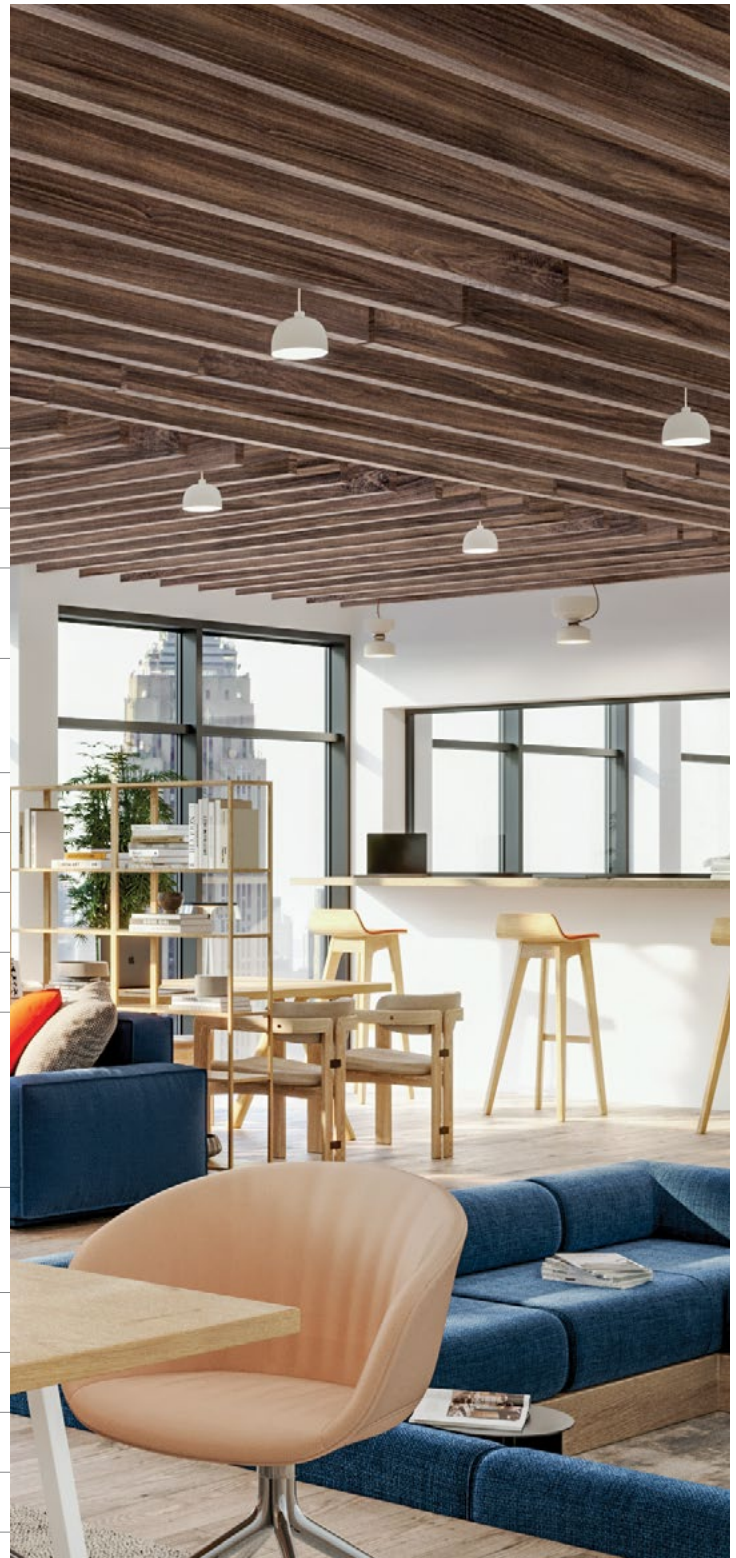
BUSTA

MUTO acoustic ceiling solutions

Enhance your interiors with 2" thick folded MUTO acoustic ceiling baffles, designed to improve sound quality while elevating interior style. Available in a wide variety of colorways and prints, these baffles offer both visual appeal and superior noise reduction. Made from PET felt, Busta ceiling baffles offer an effective solution for controlling sound and creating a more comfortable environment. With our quick lead time and simple and easy hardware solutions, Busta baffles are the preferred baffle specification.

SPECIFICATION

CONTENT	100% POLYESTER (PET) FELT
CORE THICKNESS	1/2" (12MM)
BAFFLE THICKNESS	2" FOLDED
COLORWAYS	27 COLORWAYS & 12 WOODED GRAINS 4 PRINT COLORS OR CUSTOM
SIZE	MIN LENGTH: 24" (NOMINAL) MAX LENGTH: 108" (NOMINAL) DEPTH: 6" OR 10"
WEIGHT	1 LB SQUARE FOOT
HARDWARE	1/4 - 20 CONNECT OR STRUTCLIP
ACOUSTICS	TESTING IN PROGRESS
FIRE RATING	CLASS A ASTM - E84
ENVIRONMENTAL	DELICARE, MINDFUL MATERIALS & GREENGUARD GOLD CERTIFIED. MUTO IS PRODUCED FROM 100% RECYCLABLE PET FELT WITH A MINIMUM OF 60% PRE-CONSUMER RECYCLED CONTENT.
COLORFASTNESS	IN ACCORDANCE WITH ATCC 16.3 OPTION 3 THE COLOR CHANGE TO LIGHT AT 20 AFU WAS 4.5.
FINISH	MATTE
APPLICATION	INDOOR USE ONLY
LEAD TIME	2 - 4 WEEKS
WARRANTY	2 YEARS



TOLERANCE

PET core is a soft fibrous material. All dimensions and squareness are subject to +/- 1/16" tolerance.

MAINTENANCE

Vacuum to remove dirt and dust. Remove spills or spots immediately using a clean damp cloth. Carpet and fabric cleaners can also be used to clean. (Always test an inconspicuous area first.) Compressed air may be used to dust in difficult or hard-to-reach areas.

To disinfect, bleach can be used in accordance with CDC Cleaning & Disinfection instructions. The solution ratio is 5 tablespoons of bleach to 1 gallon of water | 4 teaspoons of bleach to 1 quart of water. Apply solution by spray and wipe off immediately. (Always test in an inconspicuous area first.)

HOW TO SPECIFY

It is easy to specify Busta with four simple steps.

1

CHOOSE YOUR COLOR

Select from 27 beautiful solid colors, 12 rich printed wood grains, 4 standard printed colors or unlimited custom print.

2

DECIDE ON BAFFLE DEPTH

With 6" or 10" depth options, select the baffle height that fits your ceiling conditions.

3

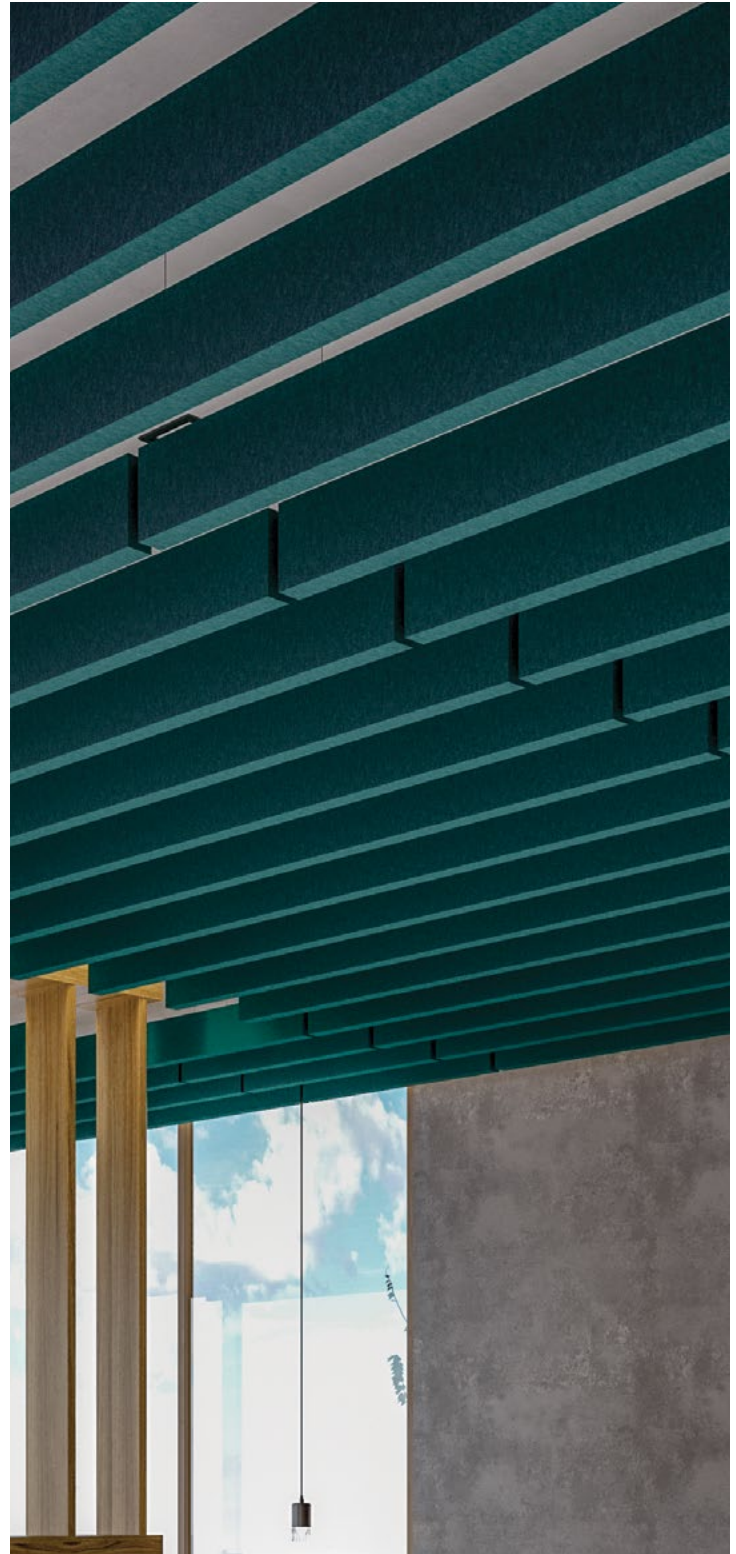
PROVIDE RCP OR BAFFLE LENGTHS

Baffle lengths range from 24" to 108". Provide your RCP and we'll lay out your baffles or indicate your desired baffle length and quantity.

4

SELECT HARDWARE

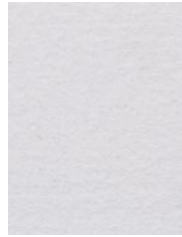
With 1/4 - 20 Connect or StrutClip hardware options, we make your installation simple and easy.



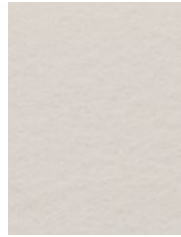
COLOR

MATTE COLOR

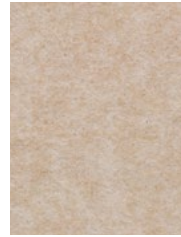
27 STANDARD COLORS
CUSTOM PRINT COLORS AVAILABLE
(CONTACT YOUR LOCAL SALES REP)
100% RECYCLABLE PET FELT



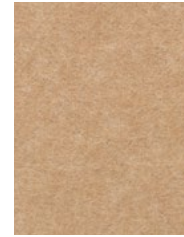
WHITE



BONE



OATMEAL



CAMEL



SAND

TOLERANCES

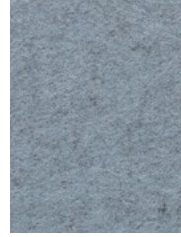
PET felt is made from 100% recyclable polyester plastic. Variation in depth will occur. Slight and consistent variations in color, density, texture are inherent to this core material and should be expected. Color, density and texture will vary by dye lot. MUTO is made with a 'felling' process which results in a textural heathered effect where the fibers consist of multiple tones and shades.



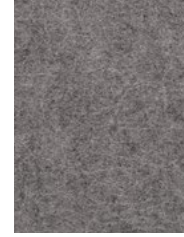
CASHMERE



FOG



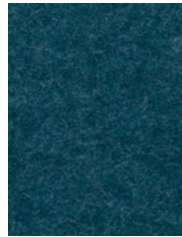
LAMB'S EAR



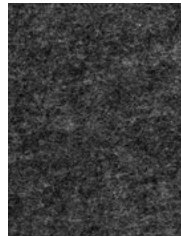
PEWTER



NORDIC KNIT



WINTER WATER



GRAPHITE



BLACK



MIDNIGHT



BLUEBERRY



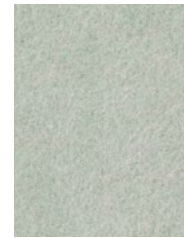
JUNIPER



SPLASH



STORM



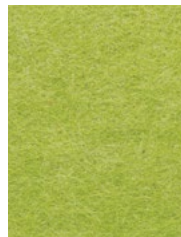
SEAFOAM



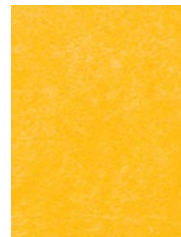
SAGE



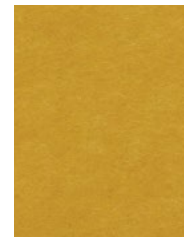
ARTICHOKE



LICHEN



SUNSHINE



QUAKING ASPEN



CLEMENTINE



CHILI PEPPER



CURRANT

WOODED COLOR

MATTE FINISH

12 PRINTED WOODED GRAINS
1/2" CORE THICKNESS
100% RECYCLABLE PET FELT

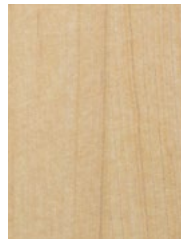
TOLERANCES

PET felt is made from 100% recyclable polyester plastic. Slight and consistent variations in color, density, texture are inherent to this core material and should be expected. Color, density and texture will vary by dye lot. MUTO is made with a 'felling' process which results in a textural heathered effect where the fibers consist of multiple tones and shades.

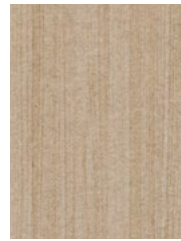
Please request physical samples as colors are represented differently with different computer monitors.



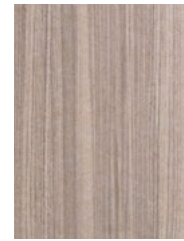
WHITE WASHED OAK



BLONDE MAPLE



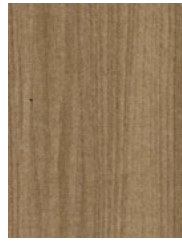
NATURAL ASH



AGED ASH



SMOKED ASH



AMBER ASH



WARM WALNUT



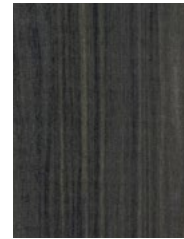
NATURAL WALNUT



BLACK WALNUT



WEATHERED PINE



CARBON WALNUT



CHARRED OAK

PRINT COLOR

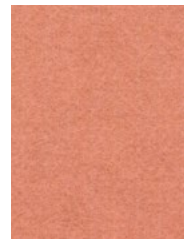
MATTE FINISH

4 PRINTED STANDARD COLORS
1/2" CORE THICKNESS
100% RECYCLABLE PET FELT
CUSTOM PRINT COLORS AVAILABLE
(CONTACT YOUR LOCAL SALES REP)

TOLERANCES

PET felt is made from 100% recyclable polyester plastic. Slight and consistent variations in color, density, texture are inherent to this core material and should be expected. Color, density and texture will vary by dye lot. MUTO is made with a 'felling' process which results in a textural heathered effect where the fibers consist of multiple tones and shades.

Please request physical samples as colors are represented differently with different computer monitors.



DESERT ROSE



DARK CLAY



RIVER



SAP GREEN

SIZE

BAFFLE DIMENSIONS

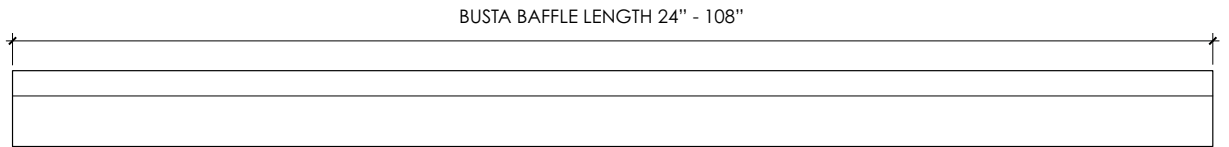
LENGTH: 24" - 108"

DEPTH: 6" OR 10"

HARDWARE SPACING

48" TYPICAL SPACING FOR 5' - 8' LENGTH BAFFLES.

60" TYPICAL SPACING FOR LONGER THAN 8'.



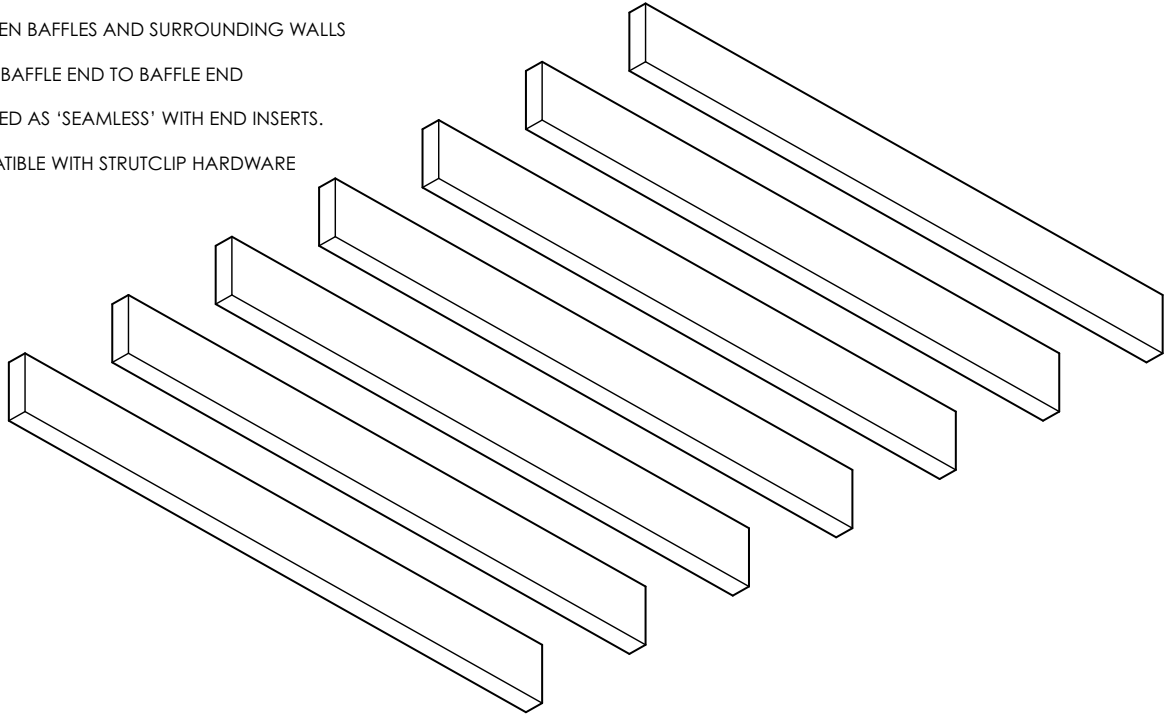
12" STANDARD ON CENTER SPACING BETWEEN BAFFLES

4" STANDARD SPACING BETWEEN BAFFLES AND SURROUNDING WALLS

1" STANDARD SPACING FROM BAFFLE END TO BAFFLE END

BUSTA BAFFLES CAN BE SPECIFIED AS 'SEAMLESS' WITH END INSERTS.

SEAMLESS INSTALL NOT COMPATIBLE WITH STRUTCLIP HARDWARE



HARDWARE

1/4" - 20 CONNECT CONNECTION

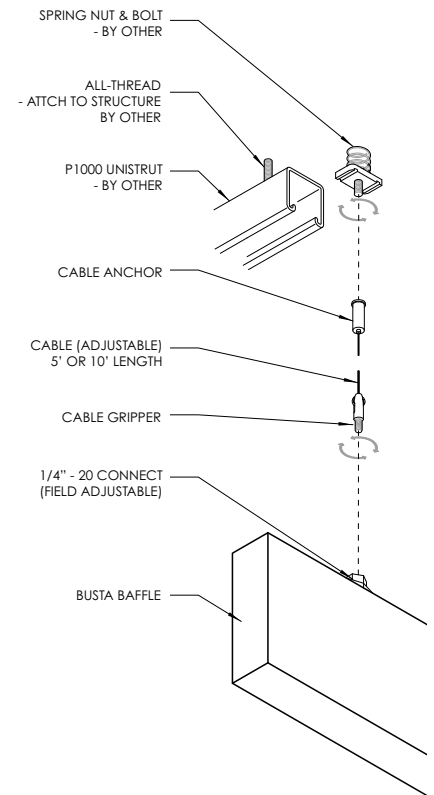
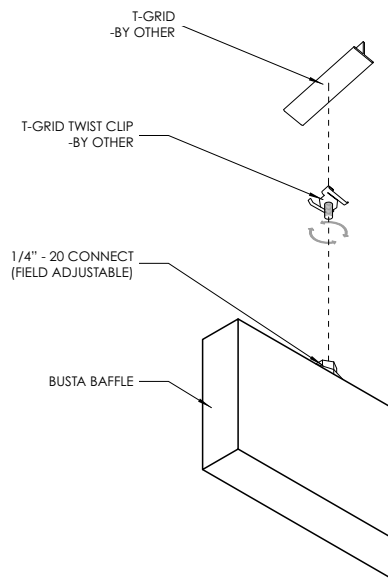
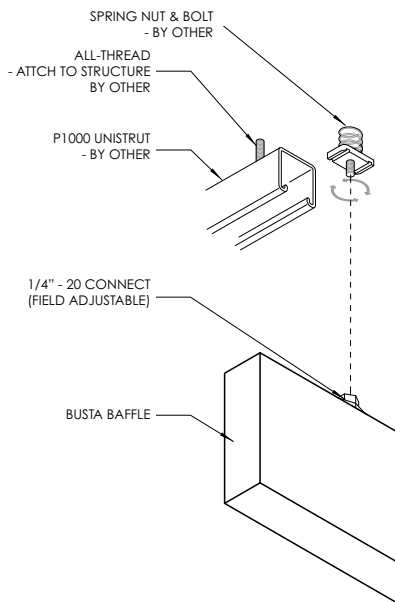
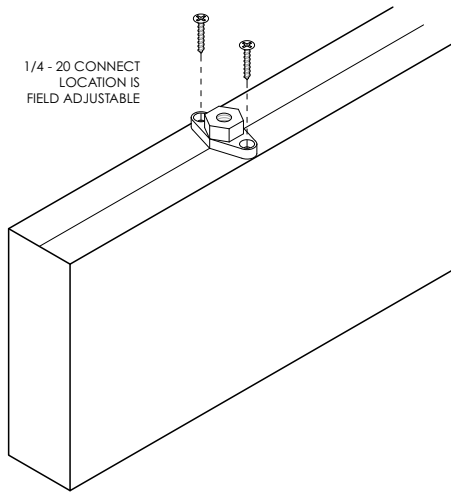
1/4" - 20 THREADED CONNECT

2 COUPLERS PER BAFFLE

FACTORY INSTALLED

CONNECT CAN DETACH AND BE RELOCATED IN FIELD

CONNECT CAN ATTACH TO ANY 1/4" - 20 SYSTEM



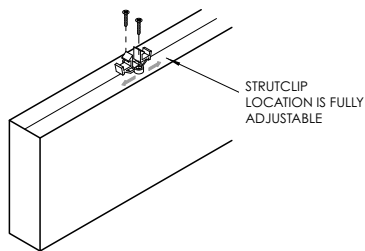
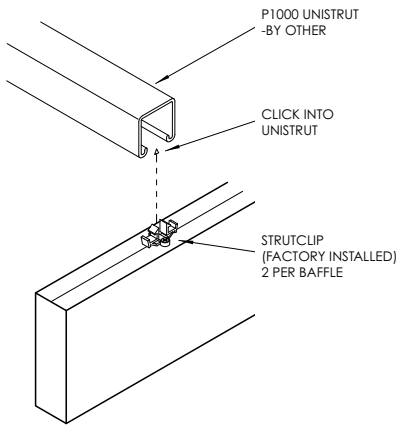
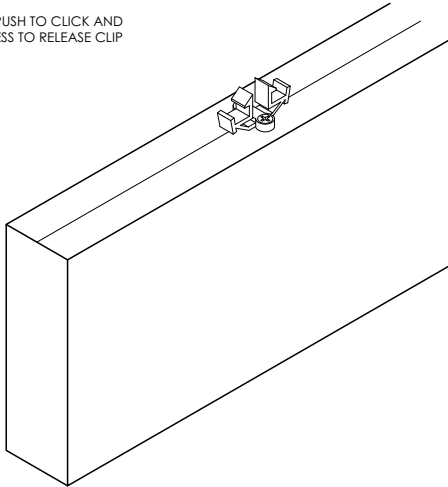
1/4" - 20 CONNECT INSTALLATION OPTIONS

HARDWARE CONTINUED

STRUTCLIP CONNECTION

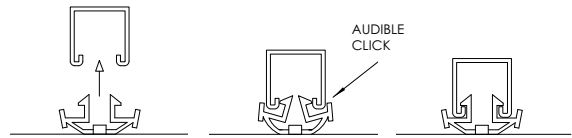
FOR UNISTRUT INSTALLATION ONLY
UNISTRUT PROVIDED BY OTHERS
2 STRUTCLIP HARDWARE PER BAFFLE
FACTORY INSTALLED
STRUTSNAP CAN DETACH AND BE RELOCATED IN FIELD

PUSH TO CLICK AND
PRESS TO RELEASE CLIP



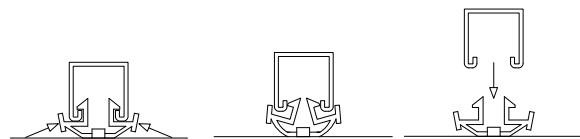
INSTALLATION

ENGAGE STRUTCLIP
P1000 UNISTRUT BY OTHER



INSERT STRUTCLIP INTO UNISTRUT. YOU WILL HEAR AN AUDIBLE CLICK.

DISENGAGE STRUTCLIP
P1000 UNISTRUT BY OTHER



TO REMOVE, SQUEEZE TABS ON BOTH SIDES AND BAFFLE WILL DROP FROM UNISTRUT.
FOR BAFFLES LONGER THAN 48", TWO INDIVIDUALS ARE REQUIRED FOR BAFFLE REMOVAL.

ACOUSTICS

NRC values in the United States use the ASTM C423 for an industry wide standard for testing acoustic baffles.

The previous test: ASTM C423-17: "Standard Test Method for Sound Absorption and Sound Absorption Coefficients by the Reverberation Room Method." has been replaced in 2023 with ASTM C423-23.

This latest version removes ambiguity regarding the surface area used to calculate the NRC values.

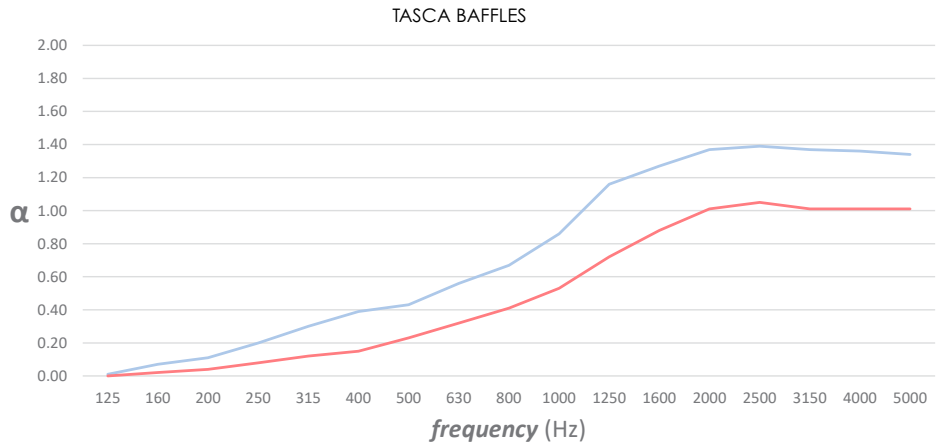
Previous Soelberg NRC values for hanging baffles have used ASTM C423-17 with the total sound absorption divided by the total surface area of the test surface covered by the hanging baffles, including intermediate spaces. This is more conservative than other calculation methods, but is most representative of the intended use of our baffles.

As of July 2023, Soelberg has adapted all of our NRC tests to the latest method: ASTM C423-23.

The new standard is more precise, avoiding the ambiguity inherent in C423-17. The new C423-23 also includes an additional 12" of space in the baffle array for all tests. This was not included in the previous test standard, and may cause the final NRC value to decrease slightly.

Soelberg strives to have the most precise acoustic data possible, and is the first manufacturer to adopt the new standard to our knowledge.

Please confirm that the ASTM C423-23 method was used when comparing products.



TASCA	SAMPLE FREQUENCY (Hz)				NRC	SAA
	250	500	1000	2000		
10"	0.20	0.43	0.86	1.37	0.70	0.73
6"	0.08	0.23	0.53	1.01	0.45	0.46

***BUSTA TESTING NOT YET AVAILABLE. BUSTA BAFFLES WILL PERFORM BETTER AS THEY ARE 2" THICK WITH AN INTERIOR AIR SPACE.

APPARENT NRC RATINGS

NRC values are typically used for flat surfaces of a given surface area, e.g. carpet or wall coverings. When rating hanging objects that are spread out, the 'Apparent NRC' is used.

WHAT IS NRC?

NRC is an acronym for Noise Reduction Coefficient. This is a convenient single rating for assessing the absorbency of a material. This can be used to predict its efficacy for reducing reverberation within a room. NRC the absorption coefficients at 125 Hz, 250 Hz, 500 Hz and 1,000 Hz, rounded to the nearest 0.05.

WHY NOT STC?

STC (Sound Transmission Class) is a value used to describe the amount of sound that passes through a barrier. This can be given to a material or an entire wall assembly. If you need to assess how well a barrier can block sound between rooms you'll need to know the STC rating. Acoustic baffles are not used to physically divide rooms, but rather to absorb noise within a room. Problematic noise in a room is called reverberation. This can manifest as droning or ringing sound when people are speaking, or in the worst case: an echo. For this reason, NRC or SAA are the appropriate rating systems for treating reverberation issues.

ENVIRONMENTAL

DECLARE, MINDFUL MATERIALS & GREENGUARD GOLD CERTIFIED

We care about the environment and it matters that our materials support healthy and productive interior spaces. We use innovative materials but ensure that they meet the highest level of standards and expectations.

MUTO PET felt core material is 100% recyclable with no added urea formaldehyde.

Declare.

