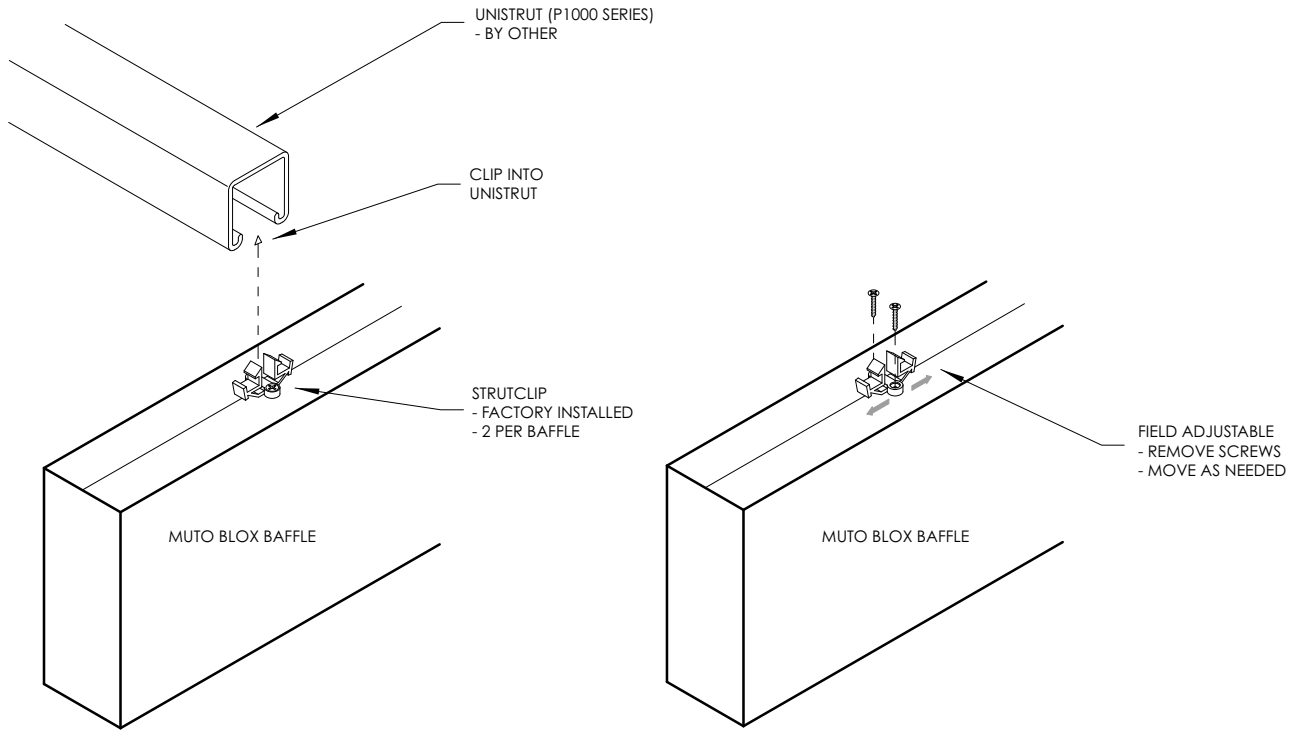


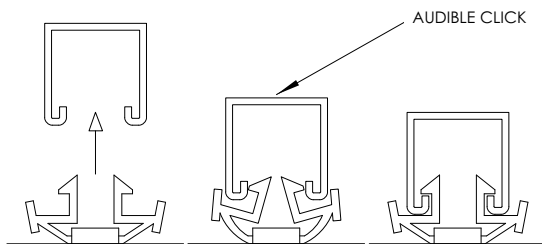
# STRUTCLIP HARDWARE



## SIMPLE CLIP INSTALLATION AND REMOVAL

### ENGAGE STRUTCLIP

UNISTRUT (P1000 SERIES) BY OTHER



INSERT STRUTCLIP INTO UNISTRUT. YOU WILL HEAR AN AUDIBLE CLICK.

### DISENGAGE STRUTCLIP

UNISTRUT (P1000 SERIES) BY OTHER

TO REMOVE, SQUEEZE TABS ON BOTH SIDES AND BAFFLE WILL DROP FROM UNISTRUT.

FOR BAFFLES LONGER THAN 48", TWO INDIVIDUALS ARE REQUIRED FOR BAFFLE REMOVAL.

