

PASSI

3D wall tile solutions

 SOELBERG



PASSI

3D wall tile solutions

Your walls have never looked so good.

Rotate and repeat to make endless surfaces of stunning textural impressions. With 37 unique finish selections and a variety of design solutions with no limitations in width and height, you can create walls that are uniquely you. We Speak Fluent Texture.

SPECIFICATION

CORE	PREMIUM MDF OR FIRE RATED MDF
CORE THICKNESS	3/4"
PATTERN	4 TILE PROFILES (PASSI 01 - PASSI 04)
FINISH	3D LAMINATE COLORS PAINT GRADE FIELD PAINTED
SIZE	22.5" x 45"
EDGE DETAIL	CHAMFERED
WEIGHT	21 LBS EACH
FIRE RATING	CLASS A ASTM - E84
APPLICATION	INDOOR USE ONLY
LEAD TIME	2 WEEKS
WARRANTY	2 YEARS

TOLERANCES

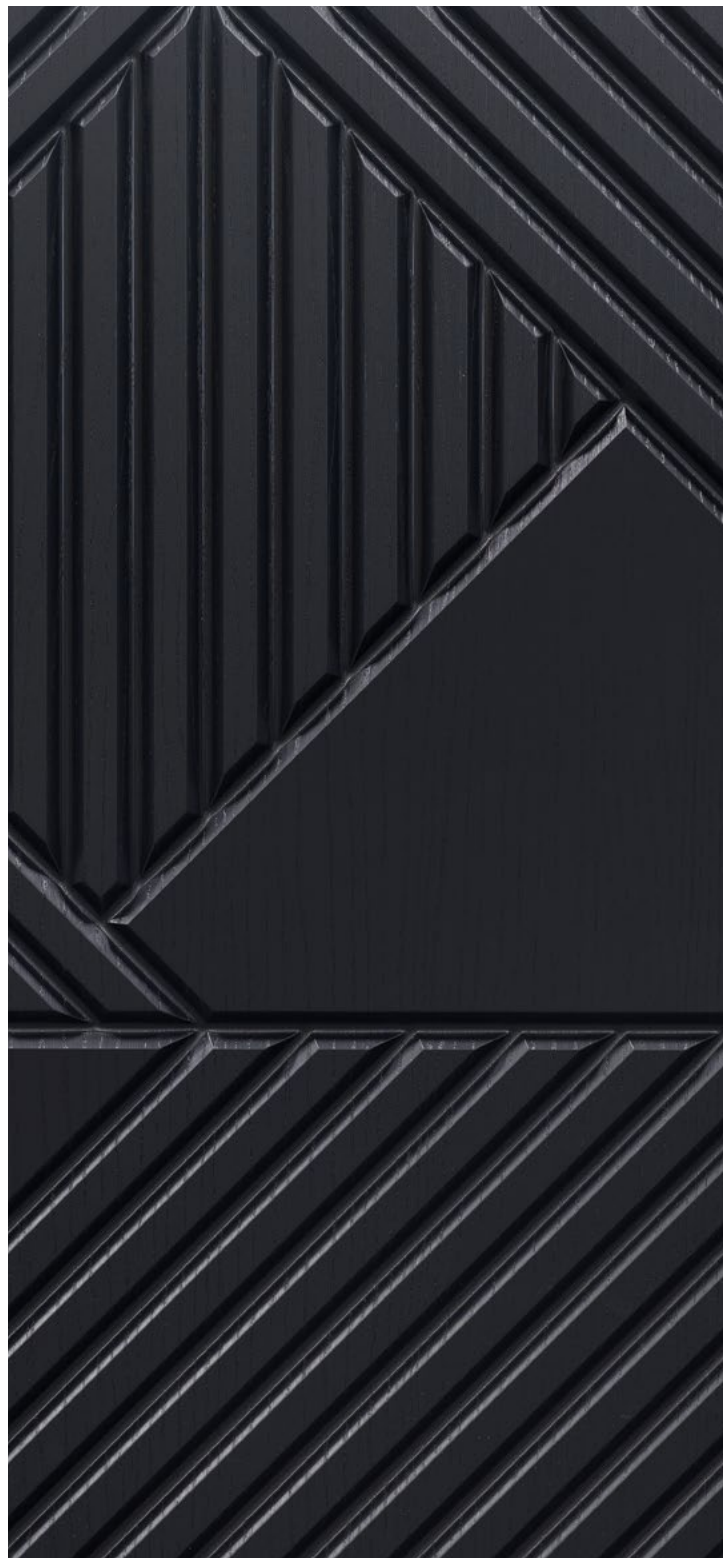
Passi tiles are available standard 22.5" x 45" tiles. All dimensions and squareness are subject to a 3/16" tolerance.

Each Passi tile comes with a Melamine backer. Natural bow or warp is common to all wood products. Please compensate with proper installation techniques.

Passi tiles, like all wood products, will expand and contract nominally with fluctuations in moisture levels. Wood products have a potential expansion of +/- 0.33%. Passi tiles will grow in high humidity locations and shrink in low level humidity applications. Controlled environments with maintained humidity levels of 25 - 55% is recommended.

MAINTENANCE

Passi Tiles should be dusted and cleaned occasionally to prevent dirt build-up. Stains should be removed with a warm diluted soap solution if necessary in combination with a non-abrasive cleaning sponge. Common cleaning products such as Windex, Simple Green, Fantastik, Formula 409 or 10:1 Water/Bleach solution are acceptable. After cleaning, the surface should be rinsed with clean water and dried with a soft non-abrasive cotton cloth. To test the suitability of a cleaning product, apply to an inconspicuous area to prevent any damage to the surface.



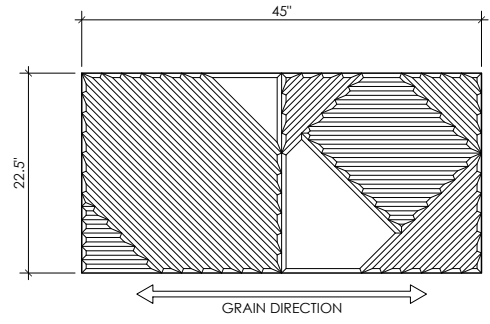
SIZE

TILE DIMENSIONS

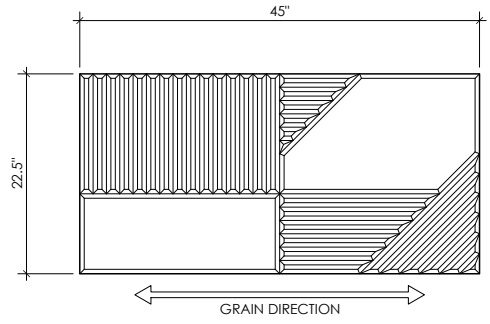
4 UNIQUE TILE PROFILES
EACH TILE: 22.5" x 45"
HORIZONTAL OR VERTICAL INSTALLATION ORIENTATION
CHAMFERED EDGE DETAIL AROUND THE PERIMETER



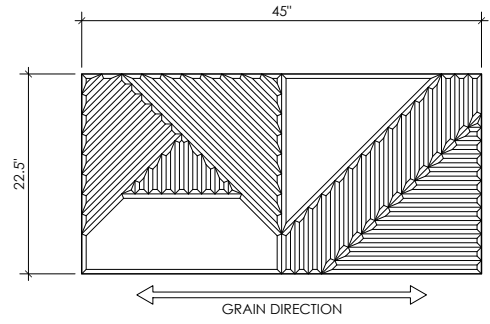
01



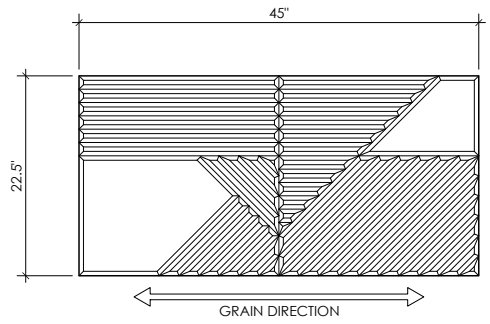
02



03



04



HORIZONTAL ORIENTATION

TILE DIMENSIONS

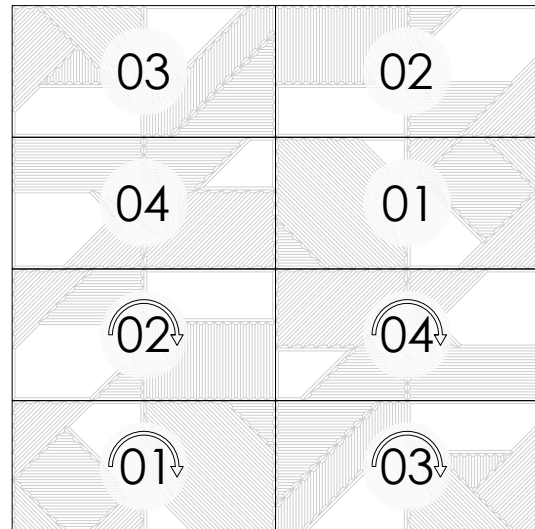
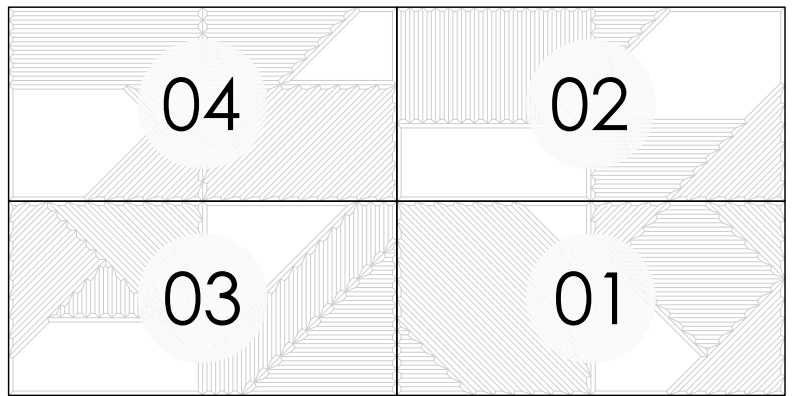
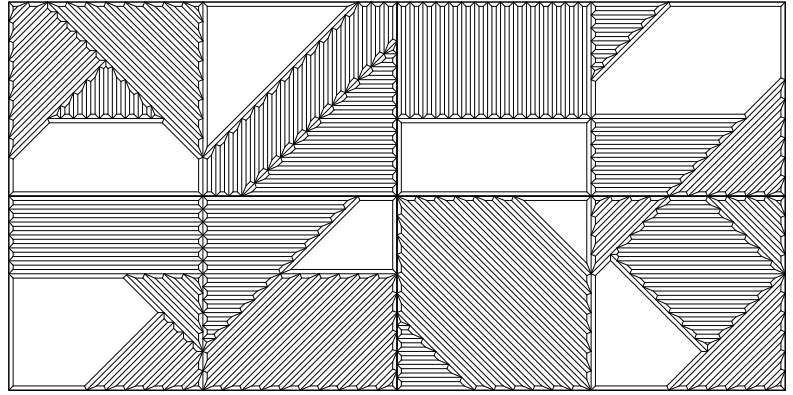
4 UNIQUE TILE PROFILES

EACH TILE: 22.5" x 45"

HORIZONTAL OR VERTICAL INSTALLATION ORIENTATION

CHAMFERED EDGE DETAIL AROUND THE PERIMETER

Passi tiles are installed one of two ways: Monolithically, placing each tile in the same direction repeated vertically or horizontally. Or, in Rotation, turning tiles 90°, 180° or 270° to create your own geometric repeat.



VERTICAL ORIENTATION

TILE DIMENSIONS

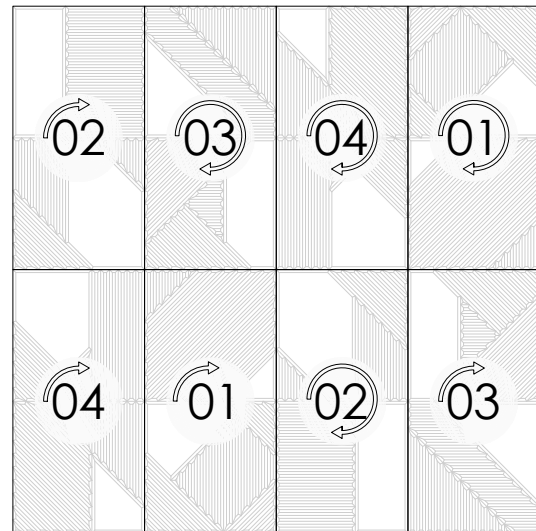
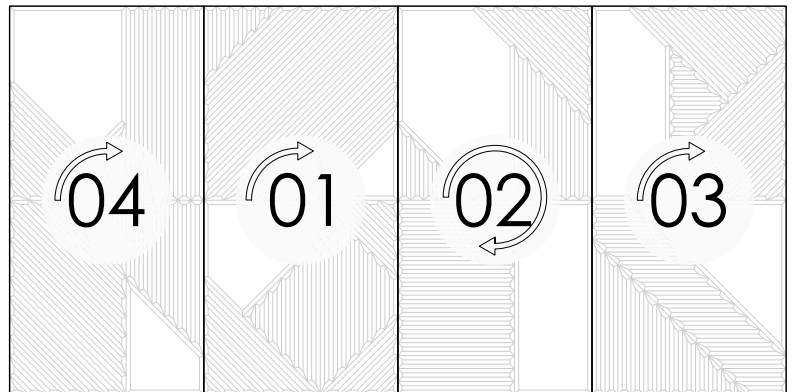
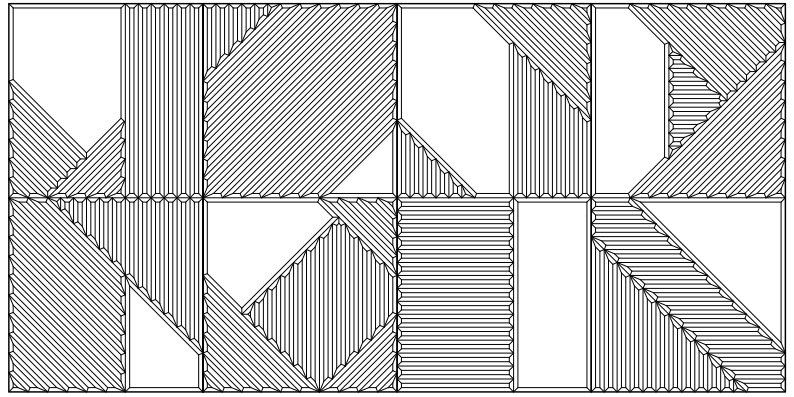
4 UNIQUE TILE PROFILES

EACH TILE: 22.5" x 45"

HORIZONTAL OR VERTICAL INSTALL ORIENTATION

CHAMFERED EDGE DETAIL AROUND THE PERIMETER

Passi tiles are installed one of two ways: Monolithically, placing each tile in the same direction repeated vertically or horizontally. Or, in Rotation, turning tiles 90°, 180° or 270° to create your own geometric repeat.



FINISH

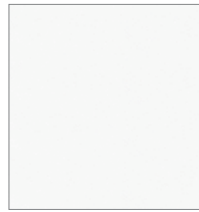
3D LAMINATE

35 COLORS

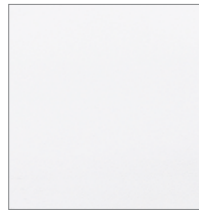
SOLID | METALLIC | WOOD GRAIN | HIGH GLOSS
MELAMINE BACKER

3D laminate (rigid thermofoil or RTF) is a thermoformed decorative surface that is cleanable and durable. Please note: Delamination will occur when 3D laminated products are exposed to heat higher than 150°.

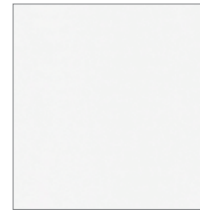
Passi Tiles can also be ordered unfinished to be painted in the field. Please contract a licensed professional and follow all local building codes and requirements.



FROSTY WHITE



GLACIER WHITE



MATTE WHITE



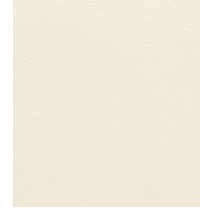
WHITE HG



PORTUNA LIGHT



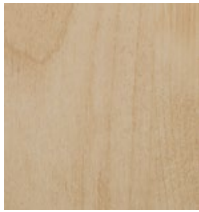
OAK ALABASTER



ANTIQUE WHITE



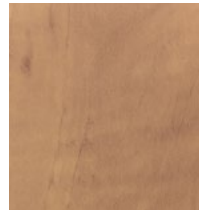
ALMOND



BLONDE MAPLE



CLEAR MAPLE



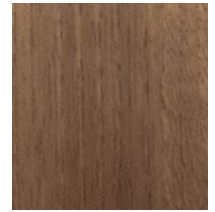
CANDLELIGHT



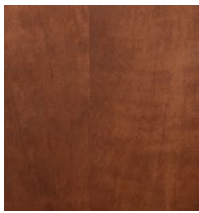
SALINAS OAK



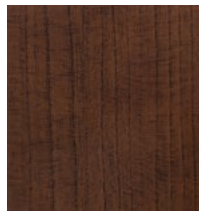
OAK PALOMINO



NATURAL WALNUT



SUMMERFLAME



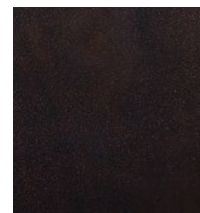
CHERRY BLOSSOM



AMATI WALNUT



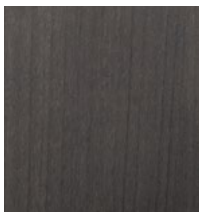
OAK GIBRALTAR



CHOCOLATE PEAR



PORTUNA DARK



LAUSANNE



TURMALIN MATTE



UMBRA MATTE



GAUNTLET GREY



SIENA MATTE



SHARK GREY



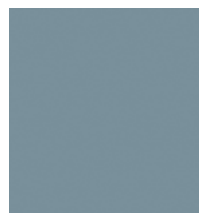
BLACK



BRUSHED STEEL HG



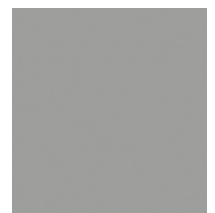
BRUSHED ALUMINUM



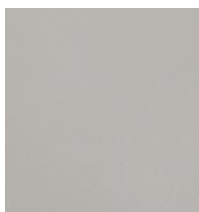
CADET



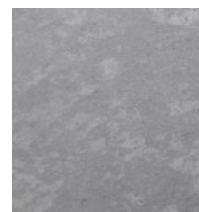
CELADON



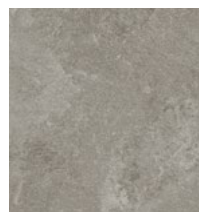
CANADIAN GREY



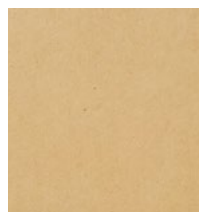
FASHION GREY



SAHARA STONE



ROCK CONCRETE



RAW MDF

FINISH CONTINUED

PAINT GRADE

RAW MDF TILES
MELAMINE BACKER

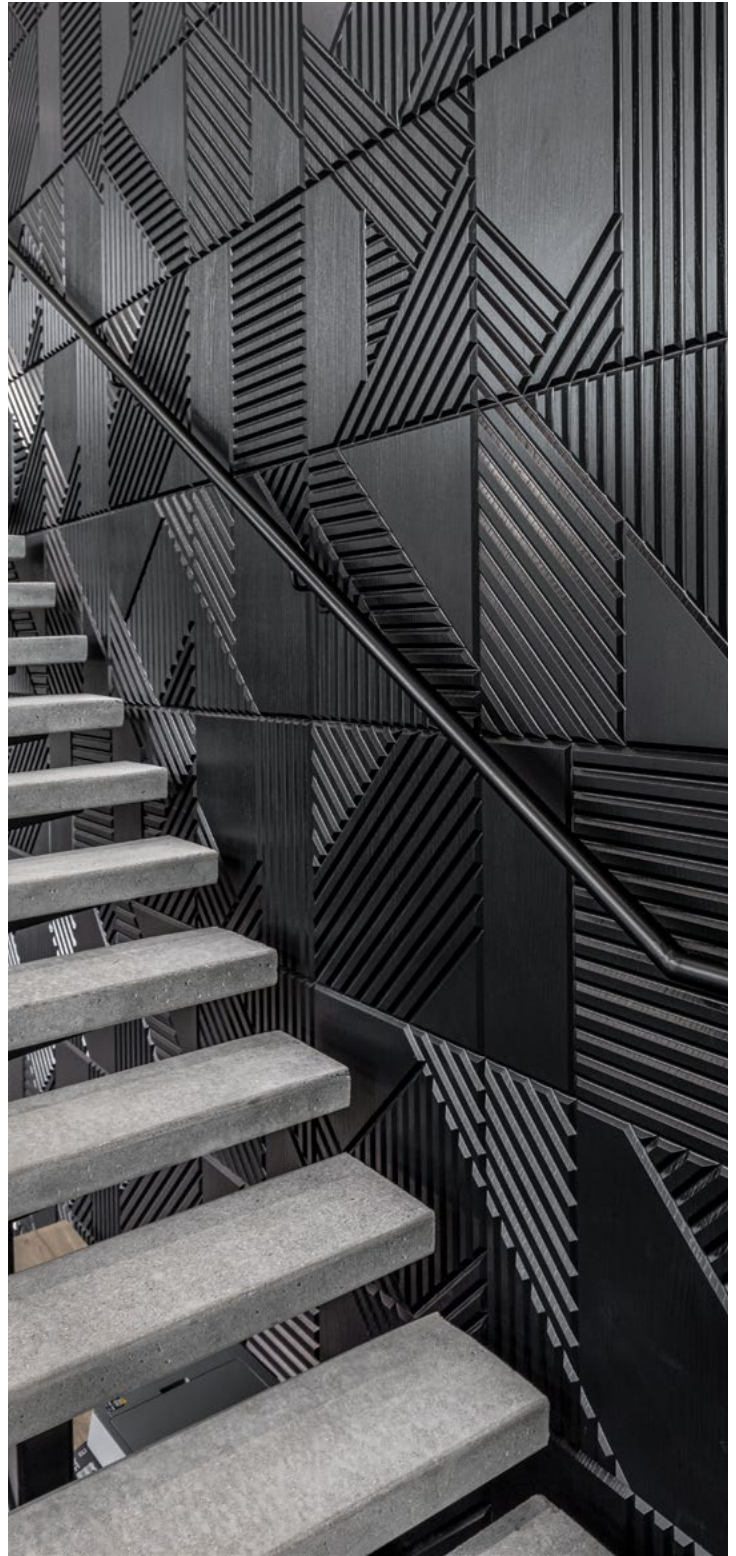
Soelberg does not provide factory paint finished Passi tiles. Field finishing should be performed by a licensed professional. Professional grade primer and paint are recommended using spray finish.

COLOR CONSISTENCY

Paint Grade unfinished MDF Passi tiles will not have consistent color from tile to tile as they are made using recycled | recovered wood products. It is not recommended to leave tiles unfinished or simply clear coat.

STORAGE & HANDLING

Passi tiles should be stored flat and in an HVAC controlled environment of 65 - 75° F (18 -24° C) with relative humidity levels of 25 - 55% for at least 48 hours prior to installation. Installation areas much be enclosed and weatherproofed before installation commences.



INSTALLATION

VHB TAPE OR ADHESIVE

Passi files are installed one of two ways: Monolithically, placing each file in the same direction repeated vertically or horizontally. Or, in Rotation, turning tiles 90°, 180° or 270° to create your own geometric repeat.

Tools required for installation include a level and measuring tape. Tiles can be installed by butt joint or with a reveal.

Clean the wall and tile surface making it free of dirt, oil and debris.

Using a level line and measuring tape, start installing files at the base of the design and work up installing towards the ceiling.

If using 3M VHB tape, remove paper backing from one side of the tile and apply tape with generous pressure around the perimeter of the back of the tile.

Remove paper backing from the 'wall side' of the tape and press file firmly to the wall, applying pressure for 30-60 seconds.

If using industrial adhesive, bead around the perimeter of the back of the file 1" from the edge. Support or structure may be needed to anchor files while adhesive cures. (VHB tape and adhesive can be used together for stronger adhesion.)

