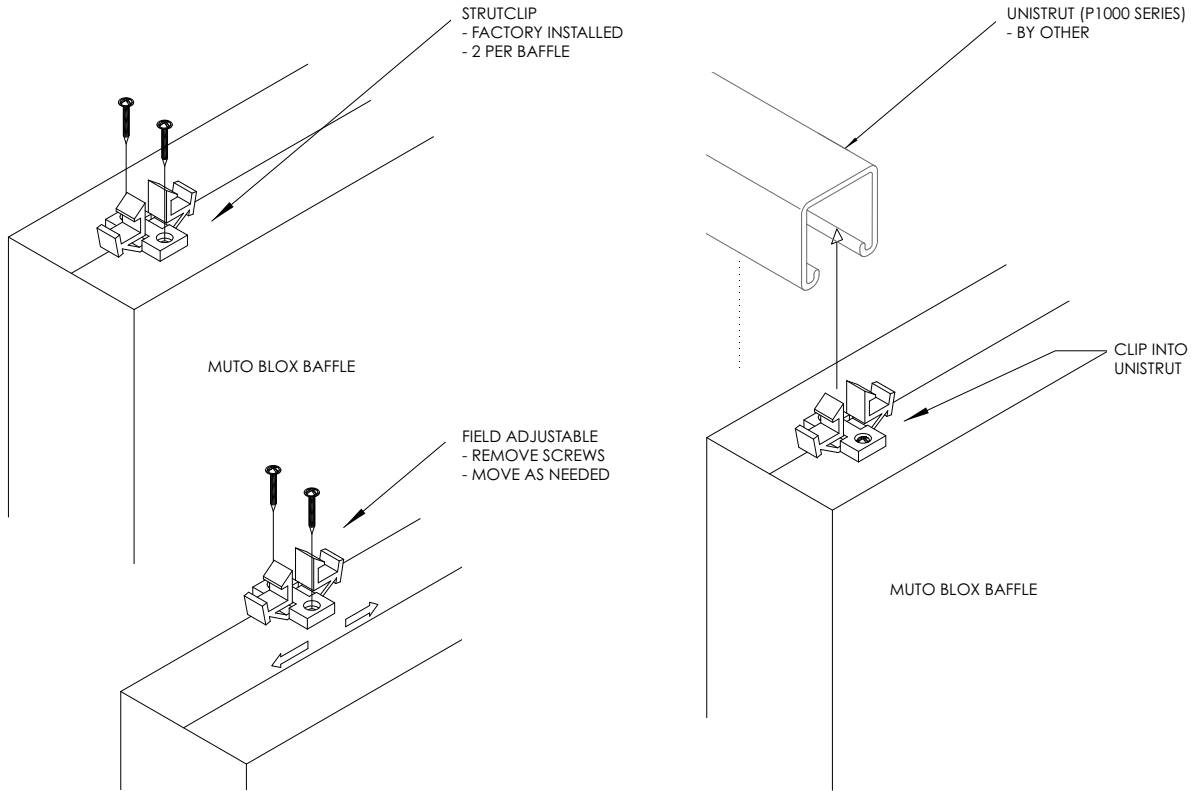
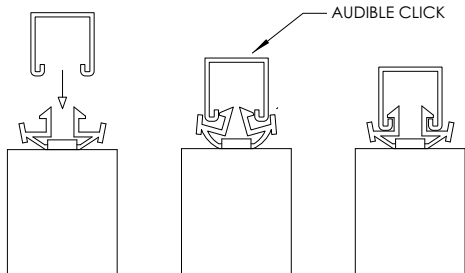


# STRUTCLIP HARDWARE

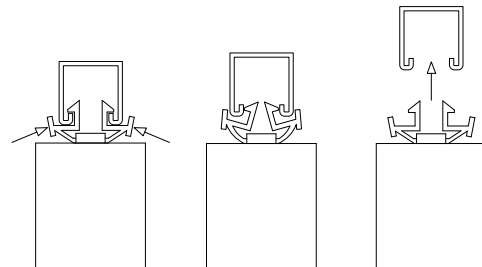


## SIMPLE CLIP INSTALLATION AND REMOVAL

ENGAGE STRUTCLIP  
UNISTRUT (P1000 SERIES) BY OTHER



DISENGAGE STRUTCLIP  
UNISTRUT (P1000 SERIES) BY OTHER



TO REMOVE, SQUEEZE TABS ON BOTH SIDES AND BAFFLE WILL DROP FROM UNISTRUT

FOR BAFFLES LONGER THAN 48", TWO INDIVIDUALS ARE REQUIRED FOR BAFFLE REMOVAL.