

# MUTO VAI

acoustic wall tile solutions

---

 SOELBERG

# MUTO VAI

## acoustic wall tile solutions

Your walls have never looked so good.

Rotate and repeat to make endless surfaces of stunning textural impressions with the power of sound absorbing PET core. With 21 unique colorways and a variety of design solutions with no limitations in width and height, you can create walls that are uniquely you. We Speak Fluent Texture.

## SPECIFICATION

<b>CONTENT</b>	100% POLYESTER (PET) FELT
<b>CORE THICKNESS</b>	1/2" (12MM)
<b>PATTERN</b>	4 TILE PROFILES (VAI 01 - VAI 04)
<b>COLORWAYS</b>	27 COLORWAYS
<b>SIZE</b>	22.5" x 45"
<b>EDGE DETAIL</b>	CHAMFERED
<b>WEIGHT</b>	4 LBS EACH
<b>ACOUSTICS</b>	0.40 OR HIGHER
<b>FIRE RATING</b>	CLASS A   ASTM - E84
<b>ENVIRONMENTAL</b>	DELCARE, MINDFUL MATERIALS & GREENGUARD GOLD CERTIFIED. MUTO IS PRODUCED FROM 100% RECYCLABLE PET FELT WITH A MINIMUM OF 60% PRE-CONSUMER RECYCLED CONTENT.
<b>COLORFASTNESS</b>	IN ACCORDANCE WITH ATCC 16.3 OPTION 3 THE COLOR CHANGE TO LIGHT AT 20 AFU WAS 4.5.
<b>FINISH</b>	MATTE
<b>APPLICATION</b>	INDOOR USE ONLY
<b>LEAD TIME</b>	2 WEEKS
<b>WARRANTY</b>	2 YEARS

## TOLERANCE

PET core is a soft fibrous material. All dimensions and squareness are subject to +/- 1/16" tolerance.

## MAINTENANCE

Vacuum to remove dirt and dust. Remove spills or spots immediately using a clean damp cloth. Carpet and fabric cleaners can also be used to clean. (Always test an inconspicuous area first.) Compressed air may be used to dust in difficult or hard-to-reach areas.

To disinfect, bleach can be used in accordance with CDC Cleaning & Disinfection instructions. The solution ratio is 5 tablespoons of bleach to 1 gallon of water | 4 teaspoons of bleach to 1 quart of water. Apply solution by spray and wipe off immediately. (Always test in an inconspicuous area first.)



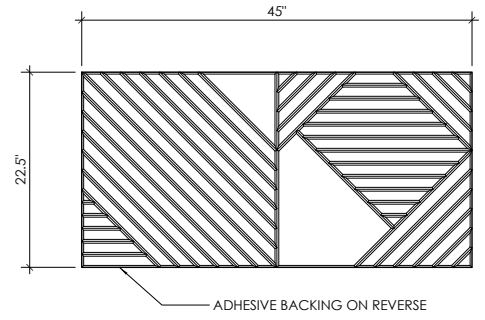
# SIZE

## TILE DIMENSIONS

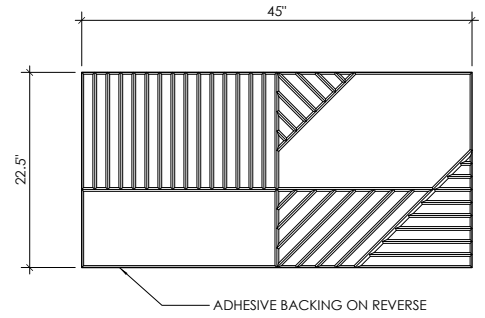
4 UNIQUE TILE PROFILES  
EACH TILE: 22.5" x 45"  
HORIZONTAL OR VERTICAL INSTALLATION ORIENTATION  
CHAMFERED EDGE DETAIL AROUND THE PERIMETER



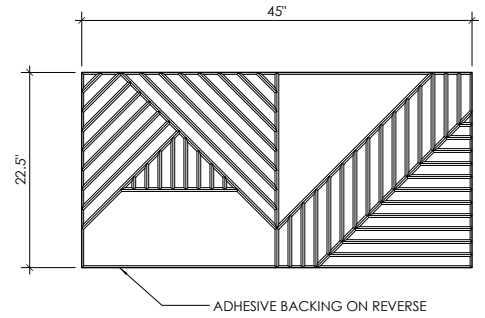
01



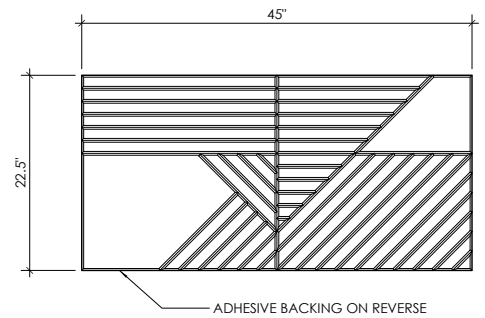
02



03



04



# HORIZONTAL ORIENTATION

## 90X45 HORIZONTAL

### TILE DIMENSIONS

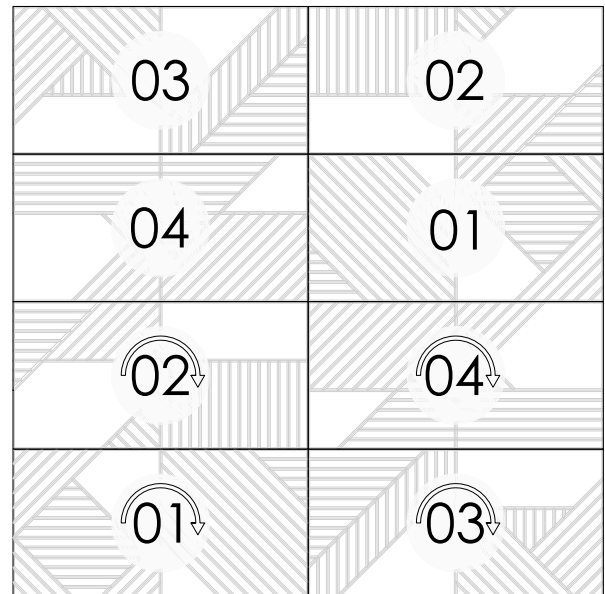
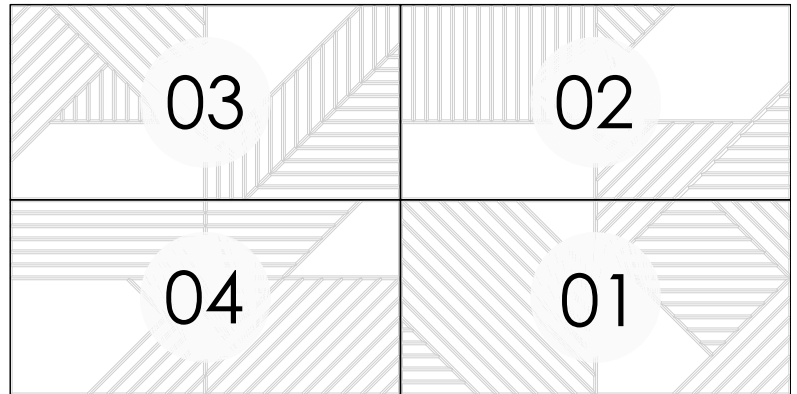
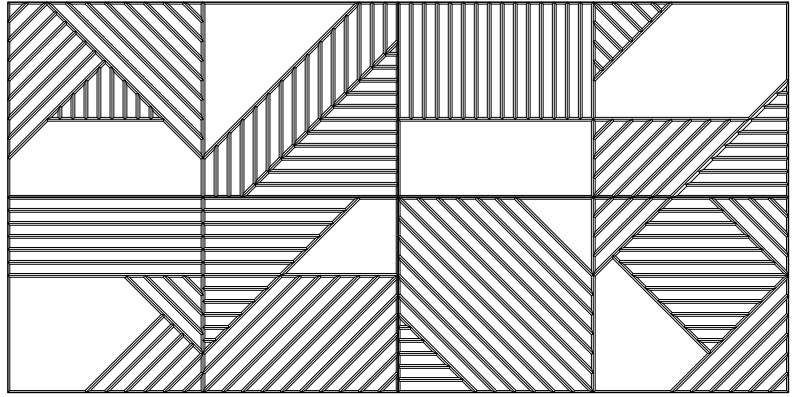
4 UNIQUE TILE PROFILES

EACH TILE: 22.5" x 45"

HORIZONTAL OR VERTICAL INSTALLATION ORIENTATION

CHAMFERED EDGE DETAIL AROUND THE PERIMETER

Vai tiles are installed one of two ways: Monolithically, placing each tile in the same direction repeated vertically or horizontally. Or, in Rotation, turning tiles 90°, 180° or 270° to create your own geometric repeat.



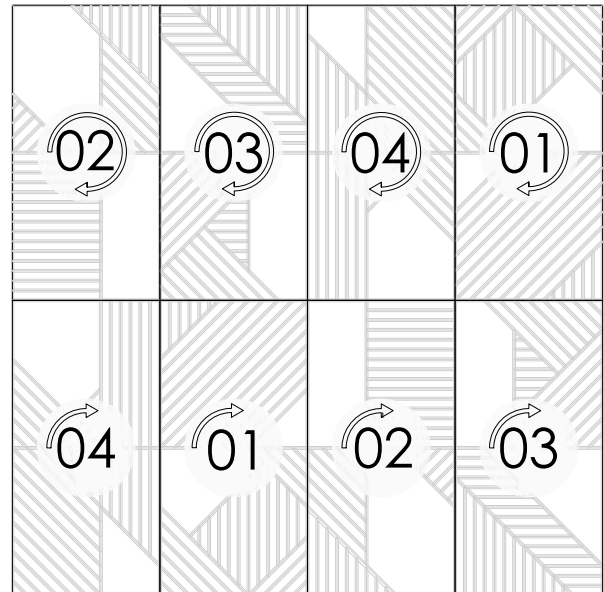
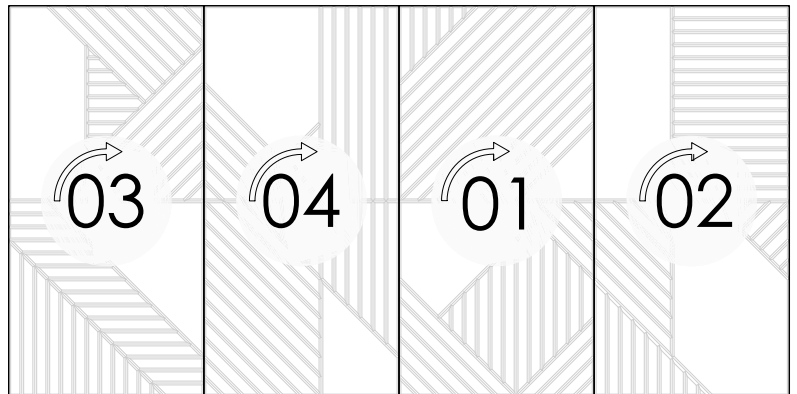
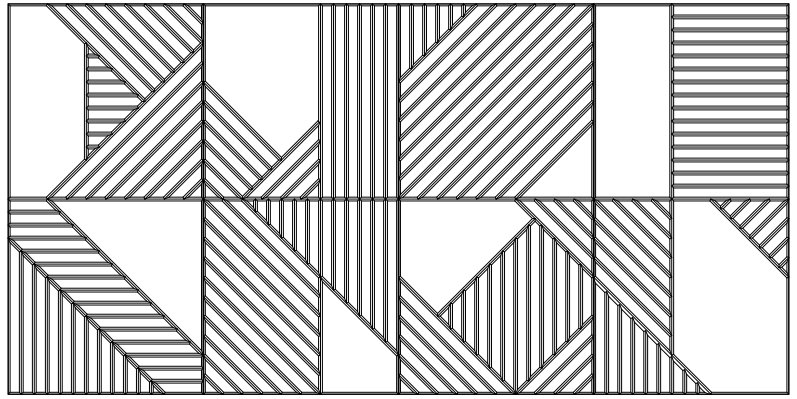
# VERTICAL ORIENTATION

## 90X45 VERTICAL

### TILE DIMENSIONS

4 UNIQUE TILE PROFILES  
EACH TILE: 22.5" x 45"  
HORIZONTAL OR VERTICAL INSTALL ORIENTATION  
CHAMFERED EDGE DETAIL AROUND THE PERIMETER

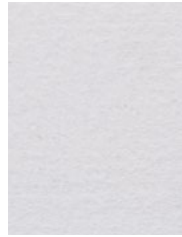
Vai tiles are installed one of two ways: Monolithically, placing each tile in the same direction repeated vertically or horizontally. Or, in Rotation, turning tiles 90°, 180° or 270° to create your own geometric repeat.



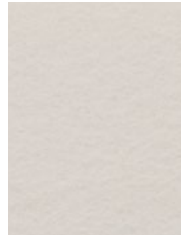
## SOLID COLOR

### MATTE COLOR

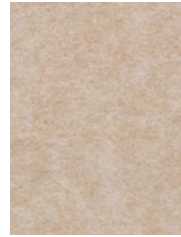
27 STANDARD COLORS  
CUSTOM PRINT COLORS AVAILABLE  
(CONTACT YOUR LOCAL SALES REP)  
100% RECYCLABLE PET FELT



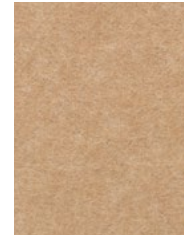
WHITE



BONE



OATMEAL



CAMEL



SAND

## TOLERANCES

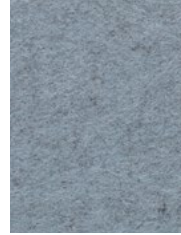
PET felt is made from 100% recyclable polyester plastic. Slight and consistent variations in color, depth, density, and texture are inherent to this core material and should be expected. Color, density and texture will vary by dye lot. MUTO is made with a 'felling' process which results in a textural heathered effect where the fibers consist of multiple tones and shades.



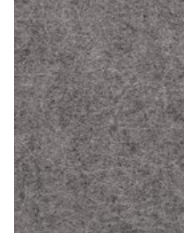
CASHMERE



FOG



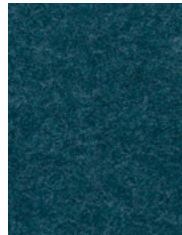
LAMB'S EAR



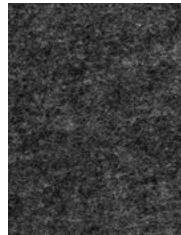
PEWTER



NORDIC KNIT



WINTER WATER



GRAPHITE



BLACK



MIDNIGHT



BLUEBERRY



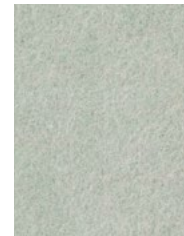
JUNIPER



SPLASH



STORM



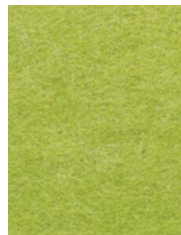
SEAFOAM



SAGE



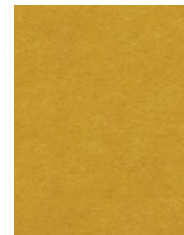
ARTICHOKE



LICHEN



SUNSHINE



QUAKING ASPEN



CLEMENTINE



CHILI PEPPER



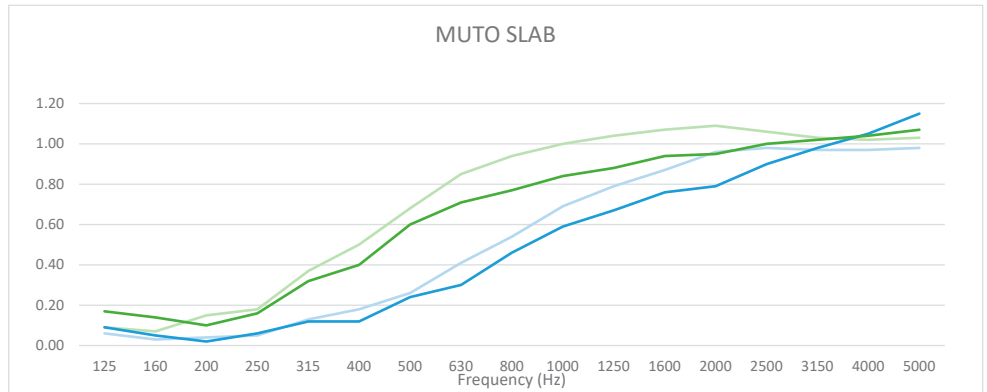
CURRANT

# ACOUSTICS

## NRC TEST DATA

Higher NRC ratings mean higher sound absorbency. The performance of 1/2" MUTO PET felt core material increases as the depth of air gap increases.

NRC values will vary based on customization and specific installation details. Contact your sales representative to learn more.



PRODUCT	MOUNTING	SAMPLE FREQUENCY (Hz)				NRC
		250	500	1000	2000	
1/2" MUTO	DIRECT	0.06	0.24	0.59	0.79	0.40
	Z-CLIP	0.05	0.26	0.69	0.96	
1" MUTO	DIRECT	0.16	0.60	0.84	0.95	0.65
	Z-CLIP	0.18	0.68	1.00	1.09	

\*\*\*NRC values are from Slab panels. MUTO Vai wall panels have slightly lower values due to the removed material. Testing in progress.

# ENVIRONMENTAL

## DECLARE, MINDFUL MATERIALS & GREENGUARD GOLD CERTIFIED

We care about the environment and it matters that our materials support healthy and productive interior spaces. We use innovative materials but ensure that they meet the highest level of standards and expectations.

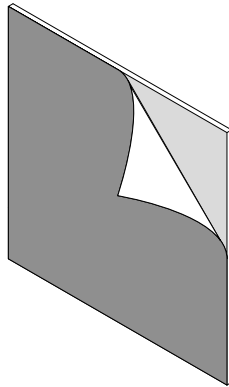
MUTO PET felt core material is 100% recyclable with no added urea formaldehyde.



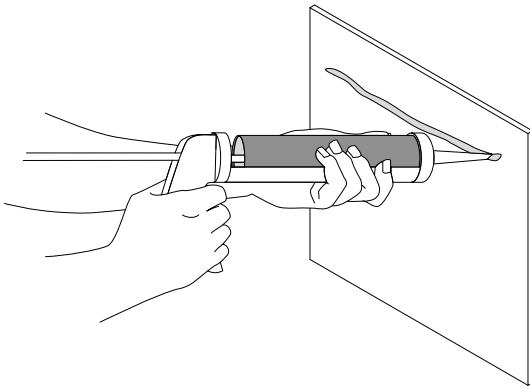
# INSTALLATION

## ADHESIVE BACKING

Vai can be installed with our manufacturer-applied 3M peel and stick adhesive backing. Simply peel the contact paper from the adhesive and with pressure, apply to a clean, dust and debris free wall surface.



## CONSTRUCTION ADHESIVE



Vai files can also be installed using construction-grade adhesive supplied by the contractor. Please consult a licensed professional and follow all building codes.

## INSTALLATION INSTRUCTIONS

Tools required for installation include a level and measuring tape. Tiles can be installed by butt joint or with a reveal.

Clean the wall and tile surface making it free of dirt, oil and debris.

Using a level line and measuring tape, start installing tiles at the base of the design and work up installing towards the ceiling.

If using adhesive backed tiles, remove paper backing from the 'wall side' of the adhesive and press tile firmly to the wall, applying pressure for 30-60 seconds.

If using industrial adhesive, bead around the perimeter of the back of the tile 1" from the edge. Support or structure may be needed to anchor tiles while adhesive cures.

