

MUTO CLOUD

acoustic ceiling solutions

 SOELBERG

MUTO CLOUD

acoustic ceiling solutions

MUTO Cloud offers you beautiful high-performing surfaces that suspend above your spaces. Whether large or small, MUTO Cloud is available in various sizes and shapes with impactful sound softening for your specific needs. Choose from 21 colors in texture or flat slab to create statement-making ceilings. With easy-to-install leveling hardware and one deck connection point per cloud, MUTO Cloud will certainly keep your head up.

SPECIFICATION

CONTENT	POLYESTER (PET) FELT / ALUMINUM TRACK
CORE THICKNESS	1/2" (12MM)
CLOUD THICKNESS	1" (NOMINAL)
PATTERN	6 TEXTURE PATTERNS OR SLAB
SHAPE & SIZE	CIRCLE 24" 36" 42" SQUARE 24" 36 42" HEXAGON 42"
COLOR	27 COLORWAYS
HARDWARE	LEVELING HARDWARE
ACOUSTICS	0.90 NRC
FIRE RATING	CLASS A ASTM - E84
ENVIRONMENTAL	DELICARE, MINDFUL MATERIALS & GREENGUARD GOLD CERTIFIED. MUTO IS PRODUCED FROM 100% RECYCLABLE PET FELT WITH A MINIMUM OF 60% PRE-CONSUMER RECYCLED CONTENT.
COLORFASTNESS	IN ACCORDANCE WITH ATCC 16.3 OPTION 3 THE COLOR CHANGE TO LIGHT AT 20 AFU WAS 4.5.
FINISH	MATTE
APPLICATION	INDOOR USE ONLY
LEAD TIME	2 - 4 WEEKS
WARRANTY	2 YEARS

MAINTENANCE

Vacuum to remove dirt and dust. Remove spills or spots immediately using a clean damp cloth. Carpet and fabric cleaners can also be used to clean. (Always test an inconspicuous area first.) Compressed air may be used to dust in difficult or hard-to-reach areas.

To disinfect, bleach can be used in accordance with CDC Cleaning & Disinfection instructions. The solution ratio is 5 tablespoons of bleach to 1 gallon of water | 4 teaspoons of bleach to 1 quart of water. Apply solution by spray and wipe off immediately. (Always test in an inconspicuous area first.)



PATTERN

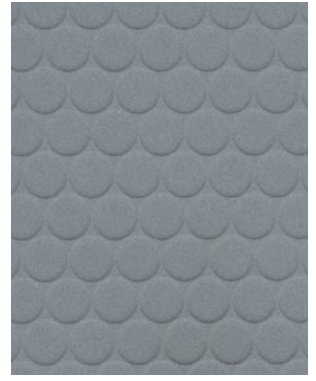
7 OPTIONS

6 TEXTURE PATTERNS OR FLAT SLAB

2 - 1/2" MUTO sheets laminated together for 1" total thickness



BOLLA



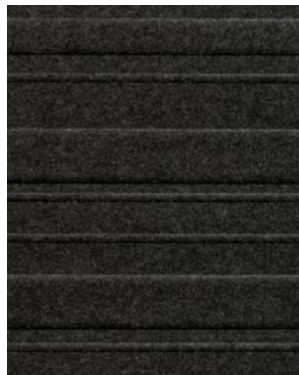
BOMBA



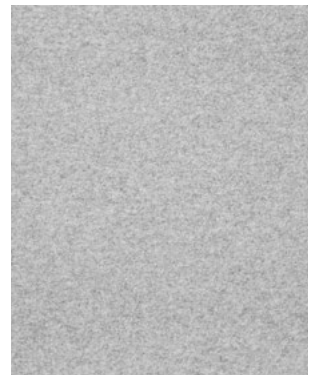
CORSA



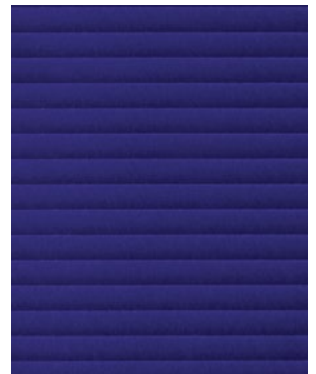
FRAMMENTO



MENSA



SLAB

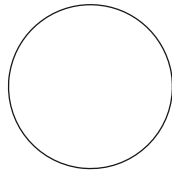


TRAGGO

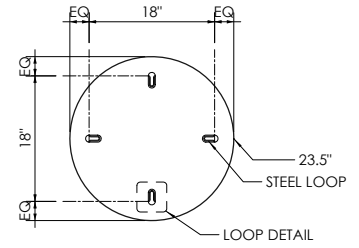
SHAPE & SIZE

CIRCLE CEILING CLOUD

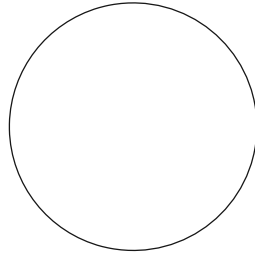
SIZE: 24" | 36" | 42" (NOMINAL)
HARDWARE CONNECTION: 4 ATTACHMENTS
WITH SINGLE DECK CONNECTION



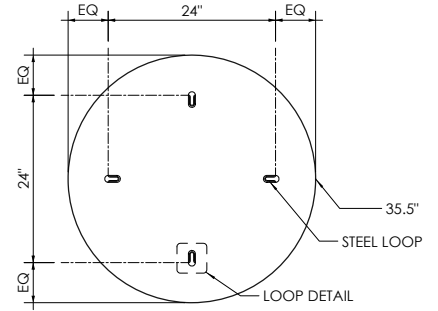
FACE



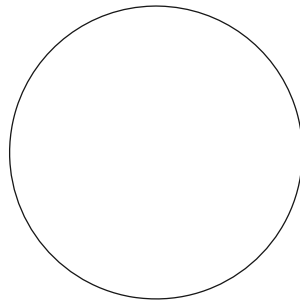
REVERSE



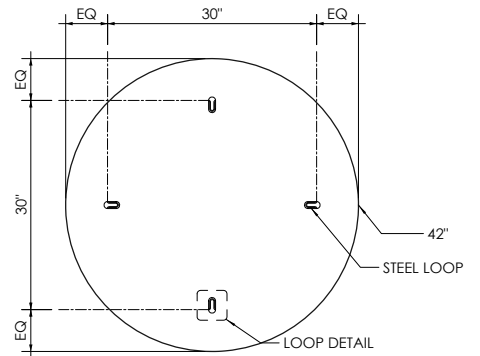
FACE



REVERSE



FACE



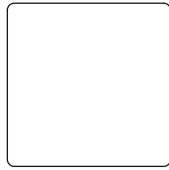
REVERSE



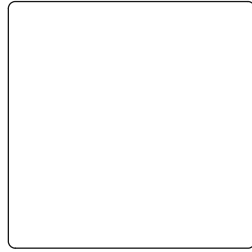
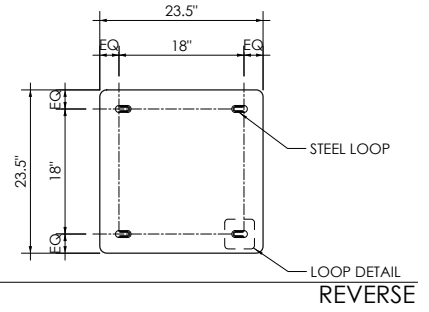
SHAPE & SIZE CONTINUED

SQUARE CEILING CLOUD

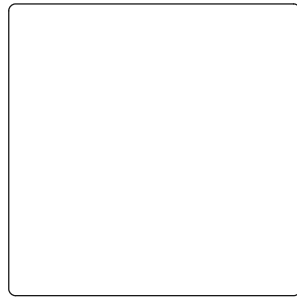
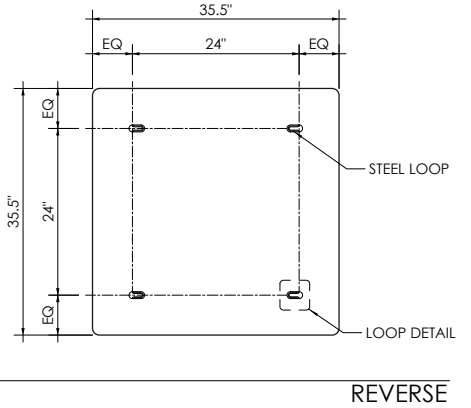
SIZE: 24" | 36" | 42" (NOMINAL)
 HARDWARE CONNECTION: 4 ATTACHMENTS
 WITH SINGLE DECK CONNECTION



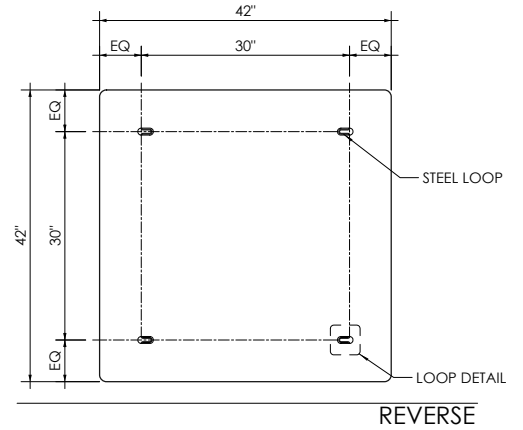
FACE



FACE

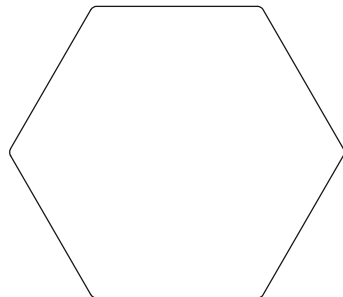


FACE

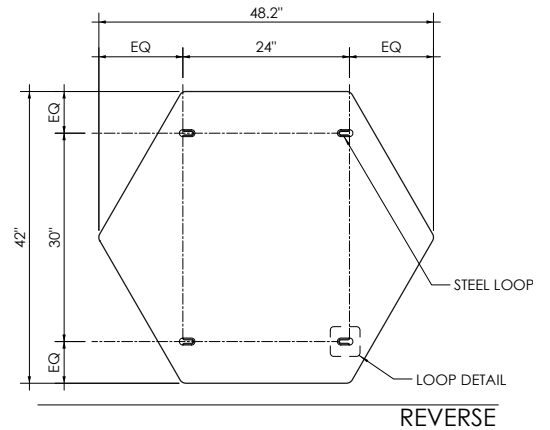


HEXAGON CEILING CLOUD

SIZE: 48" x 42" (NOMINAL)
 HARDWARE CONNECTION: 4 ATTACHMENTS
 WITH SINGLE DECK CONNECTION



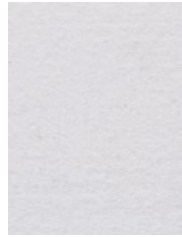
FACE



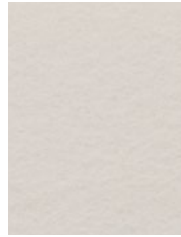
COLOR

MATTE COLOR

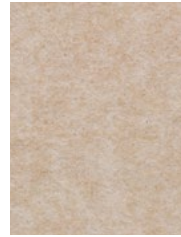
27 STANDARD COLORS
CUSTOM PRINT COLORS AVAILABLE
(CONTACT YOUR LOCAL SALES REP)
100% RECYCLABLE PET FELT



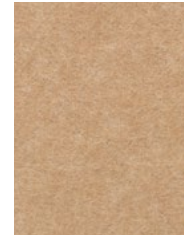
WHITE



BONE



OATMEAL



CAMEL



SAND

TOLERANCES

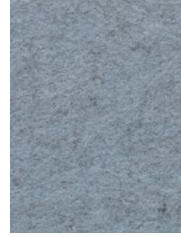
PET felt is made from 100% recyclable polyester plastic. Variation in depth will occur. Slight and consistent variations in color, density, texture are inherent to this core material and should be expected. Color, density and texture will vary by dye lot. MUTO is made with a 'felling' process which results in a textural heathered effect where the fibers consist of multiple tones and shades.



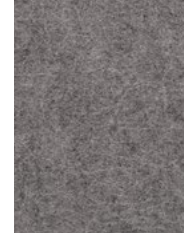
CASHMERE



FOG



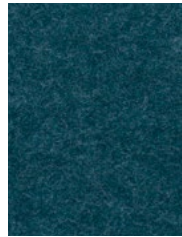
LAMB'S EAR



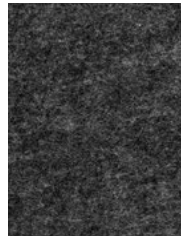
PEWTER



NORDIC KNIT



WINTER WATER



GRAPHITE



BLACK



MIDNIGHT



BLUEBERRY



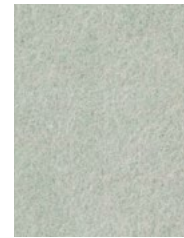
JUNIPER



SPLASH



STORM



SEAFOAM



SAGE



ARTICHOKE



LICHEN



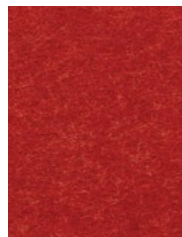
SUNSHINE



QUAKING ASPEN



CLEMENTINE



CHILI PEPPER

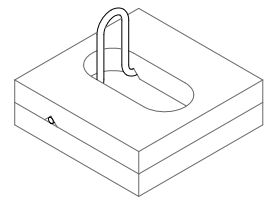


CURRANT

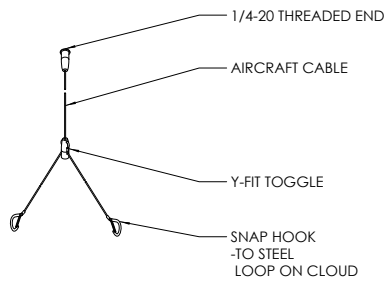
HARDWARE

LEVELING SUSPENSION INCLUDED

- 4 CONNECTION POINTS PER CLOUD
- SINGLE OR DOUBLE DECK CONNECTION
- EASY ADJUSTABLE GRIPPER
- EASY ADJUSTABLE LEVELING

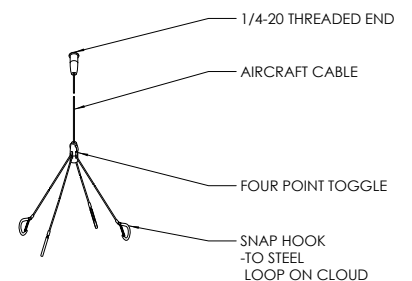


LOOP DETAIL



Y - HOOK HARDWARE
(2 "Y"'S PER CLOUD)

FOR SQUARE AND HEXAGON SHAPED CLOUDS



FOUR POINT HOOK HARDWARE
(1 PER CLOUD)

FOR ROUND SHAPED CLOUDS

ACOUSTICS

APPARENT NRC RATINGS

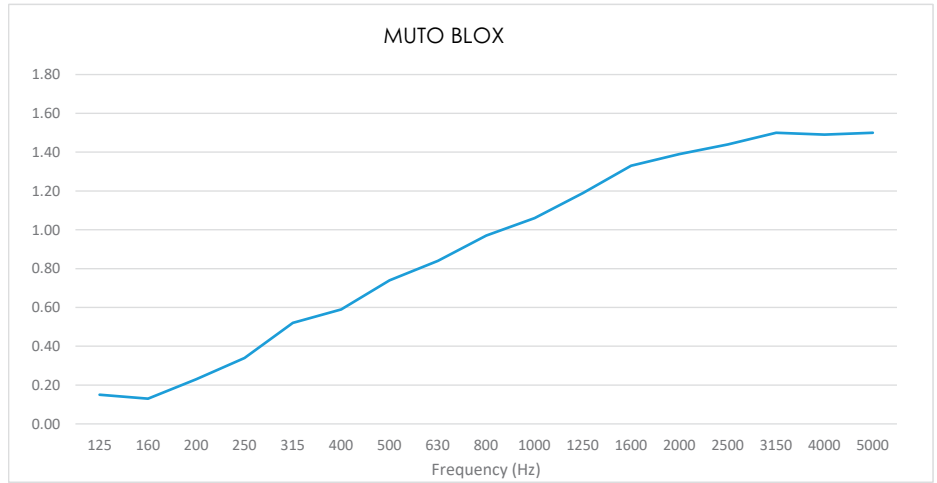
NRC values are typically used for flat surfaces of a given surface area, e.g. carpet or wall coverings. When rating hanging objects that are spread out, the 'Apparent NRC' is used.

WHAT IS NRC?

NRC is an acronym for Noise Reduction Coefficient. This is a convenient single rating for assessing the absorbency of a material. This can be used to predict its efficacy for reducing reverberation within a room. NRC the absorption coefficients at 125 Hz, 250 Hz, 500 Hz and 1,000 Hz, rounded to the nearest 0.05.

WHY NOT STC?

STC (Sound Transmission Class) is a value used to describe the amount of sound that passes through a barrier. This can be given to a material or an entire wall assembly. If you need to assess how well a barrier can block sound between rooms you'll need to know the STC rating. Acoustic baffles are not used to physically divide rooms, but rather to absorb noise within a room. Problematic noise in a room is called reverberation. This can manifest as droning or ringing sound when people are speaking, or in the worst case: an echo. For this reason, NRC or SAA are the appropriate rating systems for treating reverberation issues.



PRODUCT	MOUNTING	α	SAMPLE FREQUENCY (Hz)				NRC	SAA
			250	500	1000	2000		
BLOX	J ₁		0.34	0.74	1.06	1.39	0.90	0.89

***NRC values are from Blox 6" baffles spaced at 6" on center. Blox 4" baffles have slightly lower values and Blox 8" baffles will have higher values.

ENVIRONMENTAL

DECLARE, MINDFUL MATERIALS & GREENGUARD GOLD CERTIFIED

We care about the environment and it matters that our materials support healthy and productive interior spaces. We use innovative materials but ensure that they meet the highest level of standards and expectations.

MUTO PET felt core material is 100% recyclable with no added urea formaldehyde.

