

MUTO DESK DIVIDERS C-CLAMP HARDWARE

C-CLAMP AND ANCHOR ATTACHMENT INSTRUCTIONS

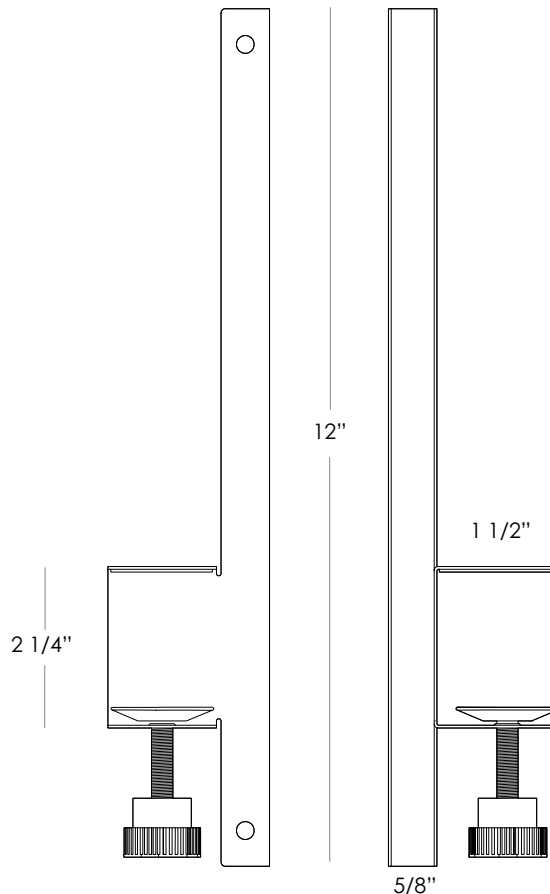
Included in your installation kit:

- 1 - C-Clamp in Gloss White
- 2 - Silver Desk Divider Panel Screws



4 Easy-to-follow Installation Steps:

1. Insert desk divider panel into Left C-Clamp Hardware and attach with panel screws using a drill or Phillips-head screw driver.
2. Ensure the panel is level and attach Right C-Clamp Hardware to the opposite end of the desk divider panel.
3. Loosen the gripper based on desk surface thickness using the handle and slide onto the desk surface.
4. After determining location, tighten each gripper so C-Clamp is steady and immovable. To adjust location, simply loosen gripper and slide into place before tightening again.



NOTE: Not all surfaces are plumb, square nor flat. Modifications may be necessary. It is your responsibility to determine the best installation method for your project based upon site conditions. It is the sole responsibility of the installer to meet all building codes and Soelberg has no liability.