


CORRI

NATURA wall tile solutions

 SOELBERG



CORRI

NATURA wall tile solutions

Your walls have never looked so good.

Rotate and repeat to make endless surfaces of stunning textural impressions. Manufactured from beautiful Baltic Birch plywood core and a variety of design solutions with no limitations in width and height, you can create walls that are uniquely you. We Speak Fluent Texture.

SPECIFICATION

CORE	BB GRADE PLYWOOD
CORE THICKNESS	3/4"
PATTERN	4 TILE PROFILES (CORRI 01 - CORRI 04)
FINISH	RAW BALTIC BIRCH PLYWOOD
SIZE	22.5" x 45"
EDGE DETAIL	CHAMFERED
WEIGHT	15 LBS EACH
FIRE RATING	(SEE BELOW FOR FINISHING)
APPLICATION	INDOOR USE ONLY
LEAD TIME	2 WEEKS
WARRANTY	2 YEARS

FINISHING

Soelberg does not provide finished Natura tiles. Panels will arrive raw. Because there is no fire rating for Natura panels, Class A Fire Rating can be achieved with a FLAME CONTROL NO. 167 fire retardant overcoat available in low, semi or high gloss sheens.

Satin or gloss clear coat is recommended to finish and increase the durability of Natura panels. A variety of stains can also be used to achieve a specific stain color. Please request a sample to test stains before finishing a full panel.

Due to the various knots, stripes, and natural inconsistencies in the wood surface, painting panels is not recommended. Please specify MDF core when a specific paint color is preferred for an optimal smooth surface.

All finishing should be done in accordance with local building standards and completed by a licensed finishing contractor.

DISCLAIMER

The Natura Collection of architectural panels are manufactured from a Baltic birch plywood core. Using unique routing methods, we create texture and dimension by exposing the multiple layers beneath the surface of the plywood core. Soelberg makes every effort to use the highest quality material available. Because of the natural characteristics of plywood, variations in color, pattern, texture, grain, and density should not be considered a defect but rather unique and individual characteristics to your product resulting in a one-of-a-kind panel. While the patterns are programmed to run continuous from sheet to sheet, the shading / color consistency will vary from panel to panel and should be expected. Knotting, pitting, voiding, striping and shading are characteristics of Natura panels. Customers' purchase and installation of the Natura Collection architectural panels constitute the acknowledgement of the individuality and risks inherent in the use and installation of this natural product.



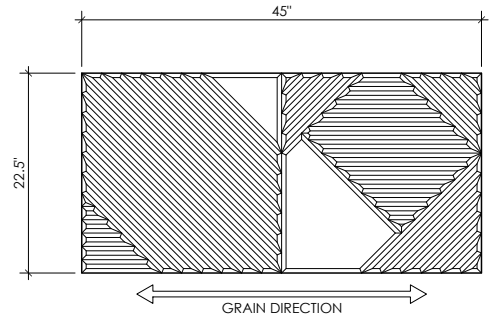
SIZE

TILE DIMENSIONS

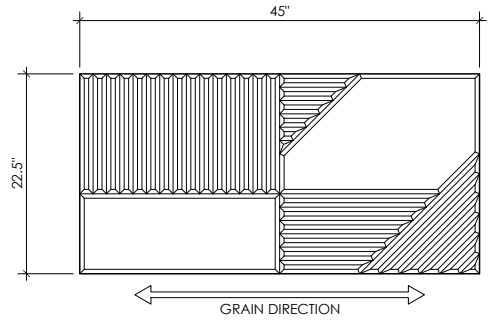
4 UNIQUE TILE PROFILES
EACH TILE: 22.5" x 45"
HORIZONTAL OR VERTICAL INSTALLATION ORIENTATION
CHAMFERED EDGE DETAIL AROUND THE PERIMETER



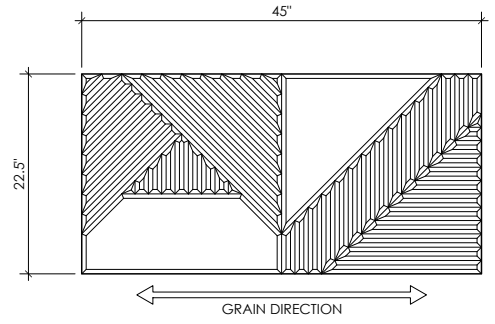
01



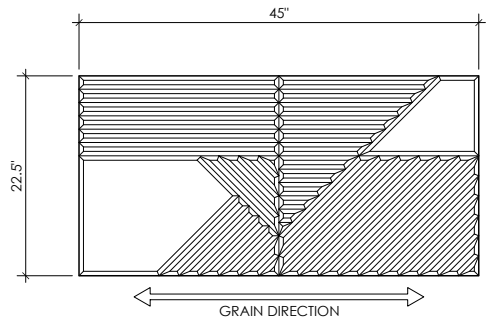
02



03



04



HORIZONTAL ORIENTATION

TILE DIMENSIONS

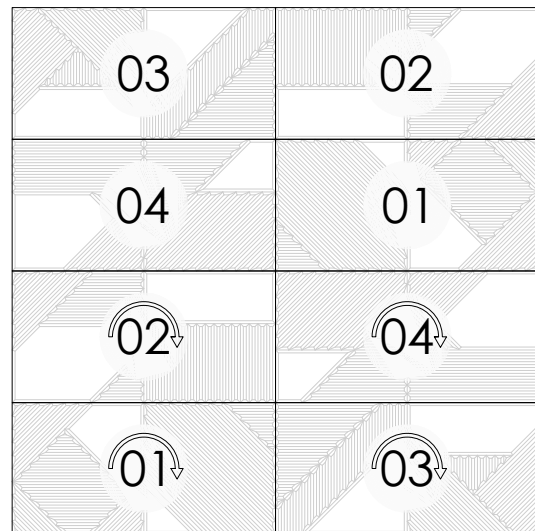
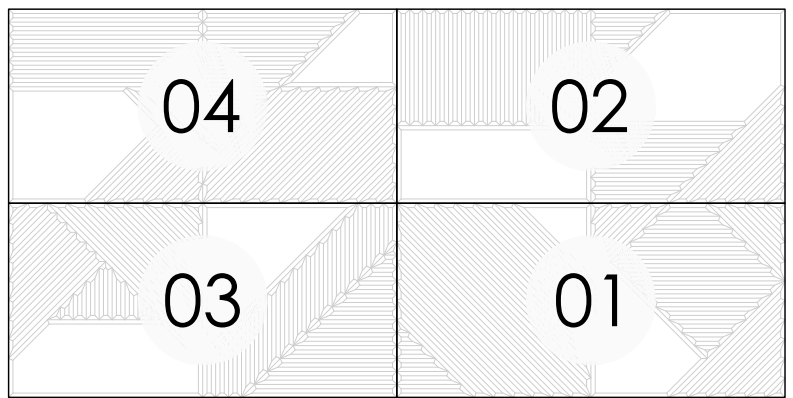
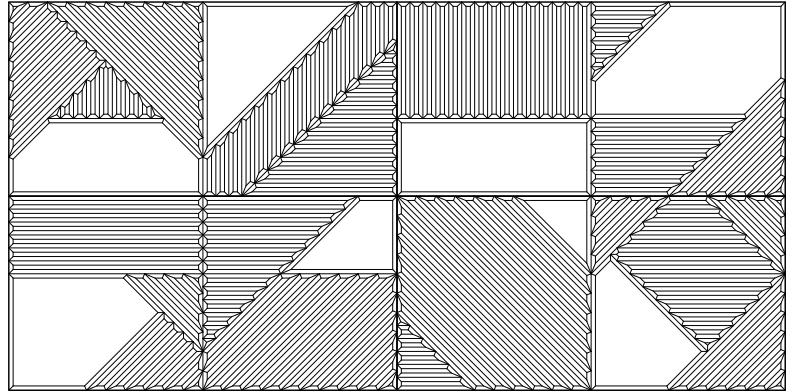
4 UNIQUE TILE PROFILES

EACH TILE: 22.5" x 45"

HORIZONTAL OR VERTICAL INSTALLATION ORIENTATION

CHAMFERED EDGE DETAIL AROUND THE PERIMETER

Passi tiles are installed one of two ways: Monolithically, placing each tile in the same direction repeated vertically or horizontally. Or, in Rotation, turning tiles 90°, 180° or 270° to create your own geometric repeat.



VERTICAL ORIENTATION

TILE DIMENSIONS

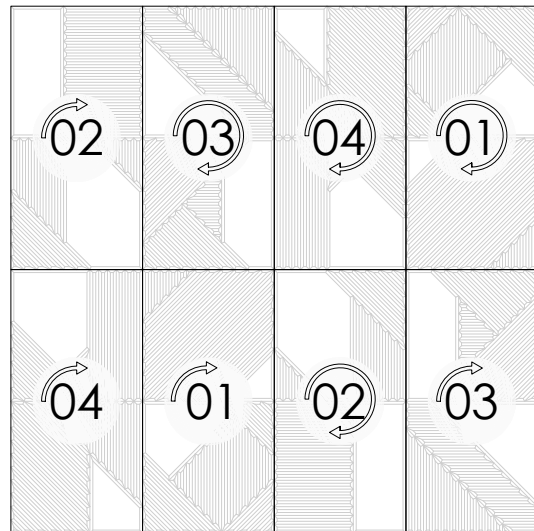
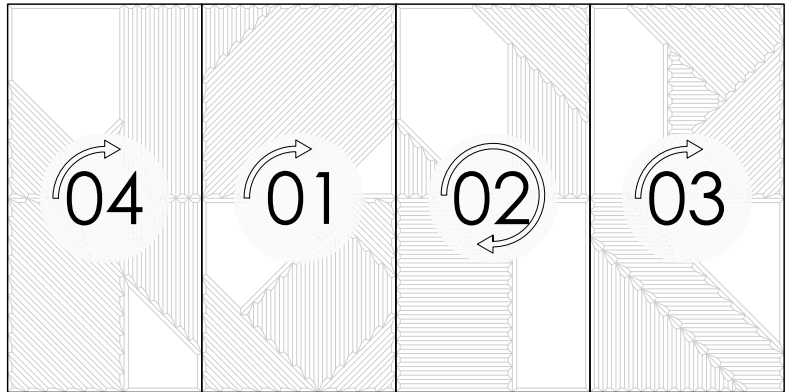
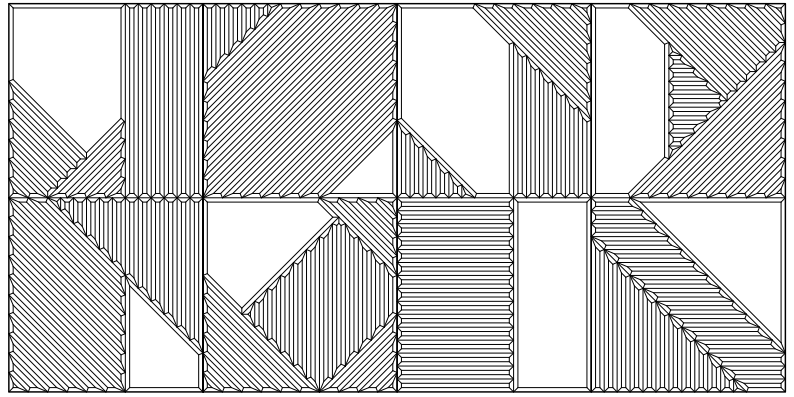
4 UNIQUE TILE PROFILES

EACH TILE: 22.5" x 45"

HORIZONTAL OR VERTICAL INSTALL ORIENTATION

CHAMFERED EDGE DETAIL AROUND THE PERIMETER

Corri tiles are installed one of two ways: **Monolithically**, placing each tile in the same direction repeated vertically or horizontally. Or, in **Rotation**, turning tiles 90°, 180° or 270° to create your own geometric repeat.



INSTALLATION

VHB TAPE OR ADHESIVE

Corri tiles are installed one of two ways: Monolithically, placing each tile in the same direction repeated vertically or horizontally. Or, in Rotation, turning tiles 90°, 180° or 270° to create your own geometric repeat.

Tools required for installation include a level and measuring tape. Tiles can be installed by butt joint or with a reveal.

Clean the wall and tile surface making it free of dirt, oil and debris.

Using a level line and measuring tape, start installing tiles at the base of the design and work up installing towards the ceiling.

If using 3M VHB tape, remove paper backing from one side of the tile and apply tape with generous pressure around the perimeter of the back of the tile.

Remove paper backing from the 'wall side' of the tape and press tile firmly to the wall, applying pressure for 30-60 seconds.

If using industrial adhesive, bead around the perimeter of the back of the tile 1" from the edge. Support or structure may be needed to anchor tiles while adhesive cures. (VHB tape and adhesive can be used together for stronger adhesion.)

