

TOUCH DESK DIVIDER

DESK DIVIDERS SPECIFICATION





CONTENTS

ABOUT	3
PATTERNS	3
72" DIVIDER DIMENSIONS	4
60" DIVIDER DIMENSIONS	5
ASSEMBLY	6
ATTACHMENT	6
SPECIFICATIONS	7
COLOR OPTIONS	8
ADD-ONS SPEC LINKS	8



ABOUT

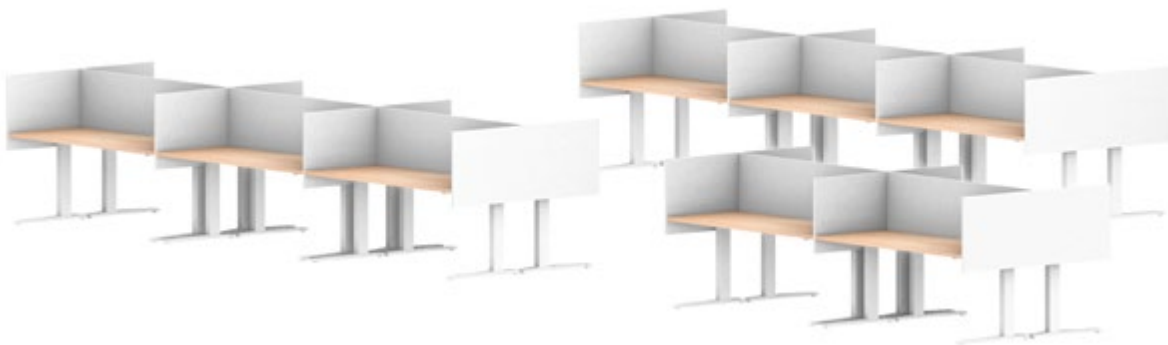
In a time of social distancing, we just need a little more space. Soelberg provides the division that keeps you safe while providing optimal productivity. TOUCH Desk Dividers are constructed of edgebanded melamine panels in a variety of wood grain finishes or solid colors with hard non-porous surfaces.

Cleanability is the foundation of a functioning work space and TOUCH Desk Dividers are easily cleaned and can withstand even some of the harshest cleaning solutions. You can focus on your workload rather than your safety.

Versatility and adaptability have become key factors in the modern work space and TOUCH provides just that. Choose GLOW Writeable surfaces that adhere directly to your desk dividers which make it easy to take notes, record assignments and checklists or for a break of mid-day doodling. If acoustic solutions are what you need, easily adhere MUTO Acoustic panels. With an increase in video telecommunication, sound control becomes a bigger issue. MUTO Acoustics reduce noise and absorb reverberation for quiet and constructive video conferencing. All Add-On panels come with 3M adhesive backs for easy attachment.

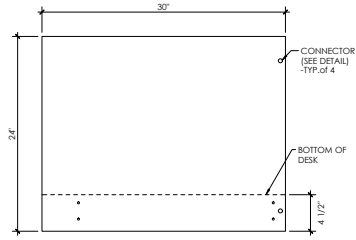
Or, choose them both for a highly functional desk space with acoustic and writeable solutions.

Maximize your return to the office with solutions that keep you feeling confident. The Soelberg Touch.

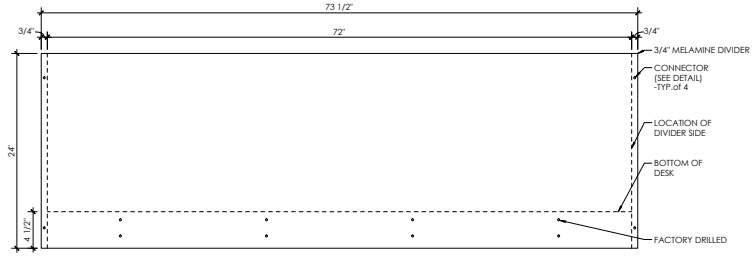


TOUCH DESK DIVIDERS

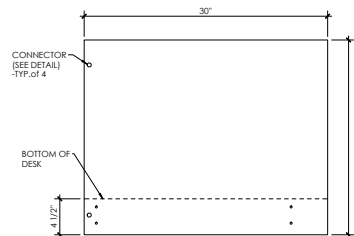
DIVIDER SIZES - 72" WITH 2 - 30" OR 24" DEEP RETURN PANELS



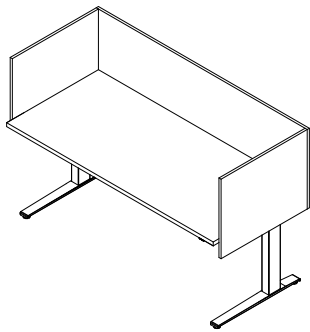
30° SIDE (LEFT)



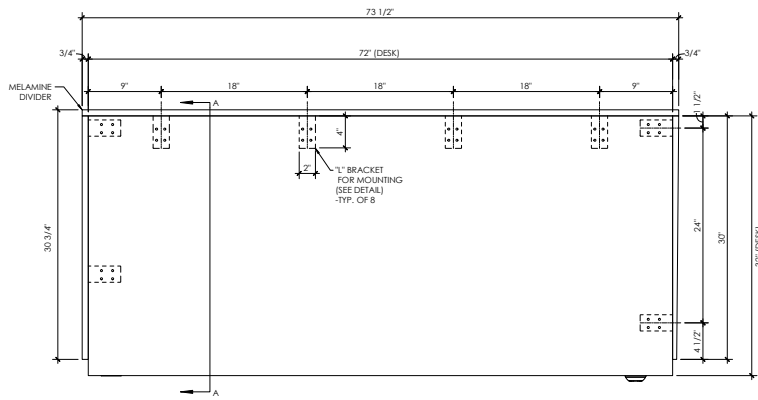
72° FRONT



30° SIDE (RIGHT)



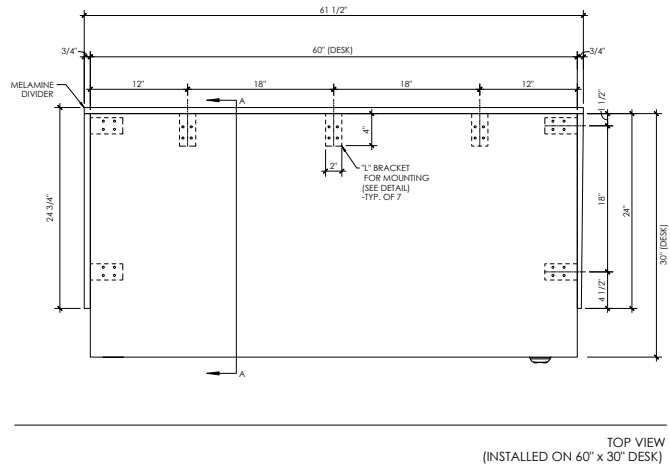
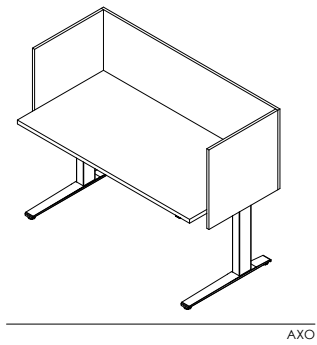
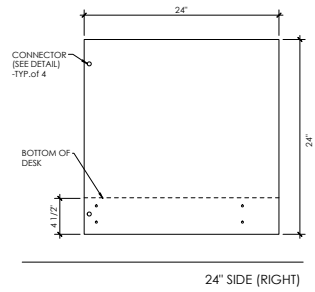
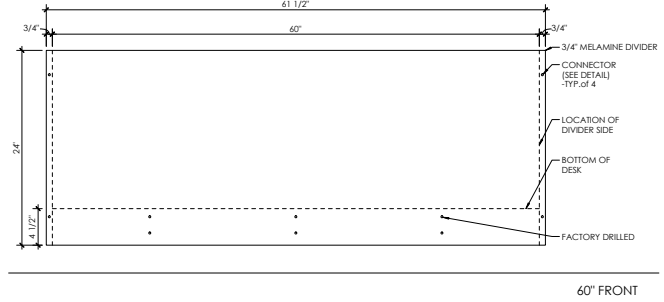
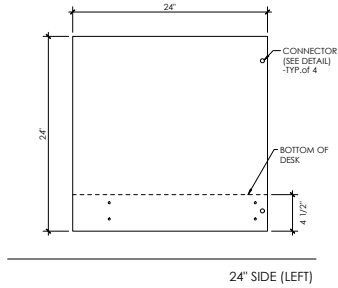
AXO



TOP VIEW
(INSTALLED ON 72' x 32' DESK)

TOUCH DESK DIVIDERS

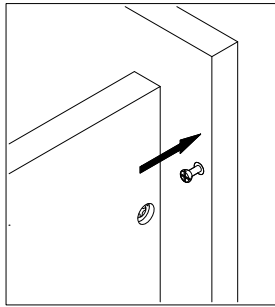
DIVIDER SIZES - 60" WITH 2 - 30" OR 24" DEEP RETURN PANELS



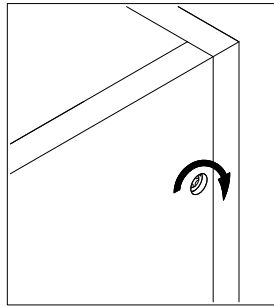
TOUCH DESK DIVIDER ASSEMBLY



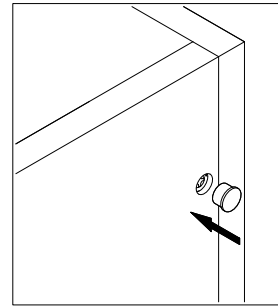
Each TOUCH Desk Divider comes pre-drilled for hardware assembly. 4 caps and bolts will be included for two attachments at each return divider panel. See directions below for assembly.



1) INSERT BOLT



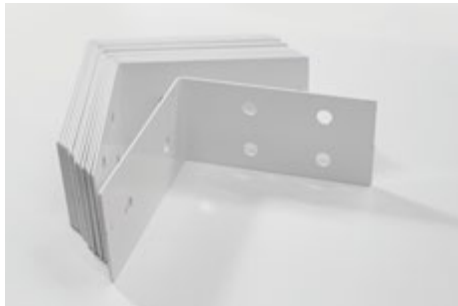
2) ROTATE TO LOCK



3) INSERT CAP

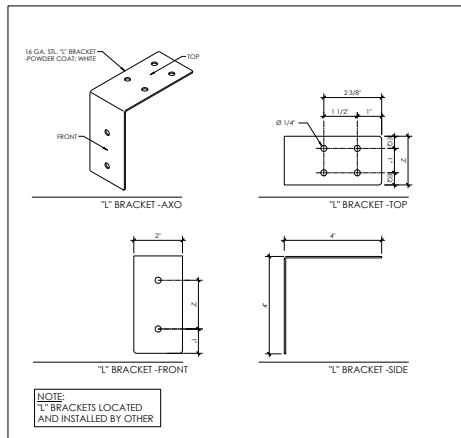
TOUCH DESK DIVIDER ATTACHMENT

4" UNDERMOUNT L-BRACKET

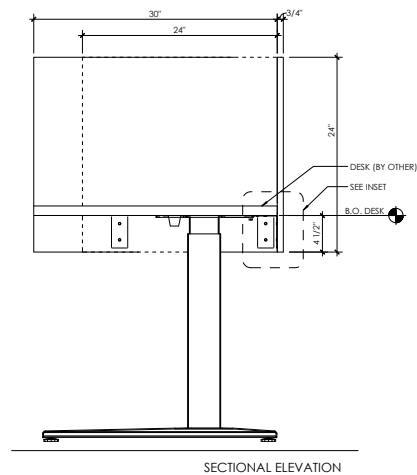


TOUCH Desk Dividers come pre-drilled for 4" Undermount L-Brackets 2 per return panel and 3 or 4 for face panel depending upon specified size. Not all desks and leg locations are universal so bracket location can be moved and drilled onsite for locations to meet specific desk requirements.

Please ensure screw length is appropriate for desk surface thickness and does not penetrate the surface.



L" BRACKET - SIDE



SECTIONAL ELEVATION

SPECIFICATIONS

PRODUCT NAME	TOUCH DESK DIVIDER
CONTENT	EDGEBANDED MELAMINE WITH PET OR WRITEABLE ACRYLIC ADD-ONS
CORE THICKNESS	3/4"
FACE PANEL SIZE	73 1/2" x 24" (72" DESK) OR 61 1/2" x 24" (60 DESK)
RETURN PANEL SIZE	30" x 24" OR 24" x 24"
EDGE OPTIONS	SQUARE EDGE
DURABILITY	CONTRACT
HARDWARE	CAP & BOLT FOR ASSEMBLY UNDERMOUNT L-BRACKET FOR ATTACHMENT
LEAD TIME	2-4 WEEKS
MAINTENANCE	<p>REGULAR CLEANING: WIPE THE SURFACE WITH A SOFT, DAMP CLOTH AND A MILD DETERGENT; THEN RINSE WITH WARM WATER AND WIPE WITH A CLEAN, DRY CLOTH TO REMOVE CLEANER RESIDUE.</p> <p>PERSISTANT STAIN: USE A DAMP CLOTH AND A FULL-STRENGTH, ALL PURPOSE CLEANER. RINSE THE SURFACE WITH WARM WATER AND WIPE WITH A CLEAN, DRY CLOTH TO REMOVE ANY CLEANER RESIDUE.</p> <p>TOUGHER STAINS: (SUCH AS COFFEE) USE A PASTE OF BAKING SODA AND WATER. APPLY PASTE WITH A SOFT BRISTLED BRUSH AND SCRUB GENTLY IN A CIRCULAR MOTION. (CAUTION: EXCESSIVE SCRUBBING CAN DULL OR DAMAGE THE SURFACE MAKING IT PRONE TO FUTURE STAINS) RINSE SURFACE WITH WARM WATER AND WIPE WITH A CLEAN, DRY CLOTH TO REMOVE ANY CLEANER RESIDUE.</p> <p>STUBBORN STAINS: REMOVE WITH ACETONE OR ADHESIVE REMOVER. (I.E. NAIL POLISH REMOVER) FOR SAFETY REASONS, RUBBER GLOVES SHOULD BE WORN. APPLY THE ACETONE OR ADHESIVE REMOVER TO THE STAIN AND LET SIT FOR NO LONGER THAN 1 1/2 MINUTES, THEN RINSE WITH WARM WATER AND WIPE DRY WITH A CLEAN CLOTH.</p> <p>HYGIENE AND DISINFECTION: MELAMINE IS KNOWN FOR EASE OF CLEANING AND THERE ARE MANY DISINFECTANTS THAT HAVE BEEN IDENTIFIED AS EFFECTIVE AGAINST A SPECTRUM OF INFECTIOUS AGENTS INCLUDING BACTERIA AND VIRUSES. THE FOLLOWING LINK IS THE US EPA'S LIST N: DISINFECTANTS FOR USE AGAINST SARS-COV-2:</p> <p>https://www.epa.gov/pesticide-registration/list-n-disinfectants-use-against-sars-cov-2</p> <p>THE TYPES OF DISINFECTANTS RECOMMEND FOR USE ON MELAMINE SURFACES AND HAVING THE BEST COMPATIBILITY WITH MELAMINE SURFACES ARE THOSE LISTING QUATERNARY AMMONIUM COMPOUND AS THE ACTIVE INGREDIENT WHILE ALSO INDICATING EFFECTIVENESS AGAINST CORONAVIRUS.</p>
FIRE RATING	ASTM - E84: CLASS A FIRE RATED
APPLICATION	INDOOR USE ONLY

COLOR OPTIONS

TOUCH DESK DIVIDER COLORS



White Zebline



Grey Echo



Natural Elm



Richmond Cherry



Drift Loud



Grigio Notte



White



Grey

MUTO ACOUSTIC SURFACE COLORWAYS (ADD-ON)



White



Bone



Oatmeal



Camel



Cashmere



Fog



Nordic Knit



Lamb's Ear



Pewter



Winter Water



Graphite



Black



Midnight



Splash



Storm



Lichen



Sunshine



Clementine



Chili Pepper

MUTO SPECIFICATIONS: <https://soelbergi.com/wp-content/uploads/2020/01/MUTO-Slab.pdf>

GLOW WRITEABLE SURFACE COLOR (ADD-ON)



Pure White

GLOW SPECIFICATIONS: <https://soelbergi.com/wp-content/uploads/2019/08/GLOW-Spec-Sheet.pdf>

