

MUTO DESK DIVIDERS CLAMP HARDWARE

CLAMP AND SET SCREW ATTACHMENT INSTRUCTIONS

Included in your installation kit:

- 1 - Matte White Clamp
- 1 - Silver Set Screw

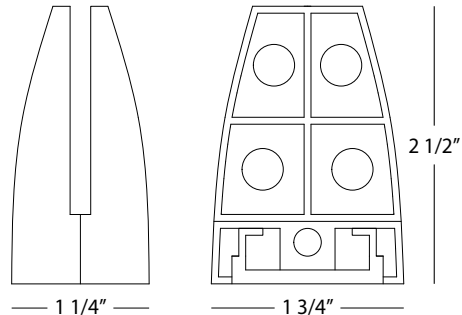


(mounting screws not included)

4 Easy-to-follow Installation Steps:

1. Based on worksurface thickness, determine mounting screw length. (mounting screws not included) **Each clamp will require 2 mounting screws.**

2. Determine mounting locations based on Desk Divider length. Desk Dividers longer than 48" will require more than 2 clamps.



3. Pre-drill and then fasten front side of clamp to worksurface with mounting screws.

4. Position Desk divider and attach back of clamp with set screw using an Allen wrench or hex key. Tighten set screw adjusting the Desk Divider as needed to secure in place. (maximum panel thickness is 1/2")



NOTE: Not all surfaces are plumb, square nor flat. Modifications may be necessary. It is your responsibility to determine the best installation method for your project based upon site conditions. It is the sole responsibility of the installer to meet all building codes and Soelberg has no liability.