

MUTO DESK DIVIDERS BRACKET HARDWARE

BRACKET AND SCREW ATTACHMENT INSTRUCTIONS

Included in your installation kit:



1 - 1/8" x 1" x 8" Black Metal Bracket

4 - Silver Screws

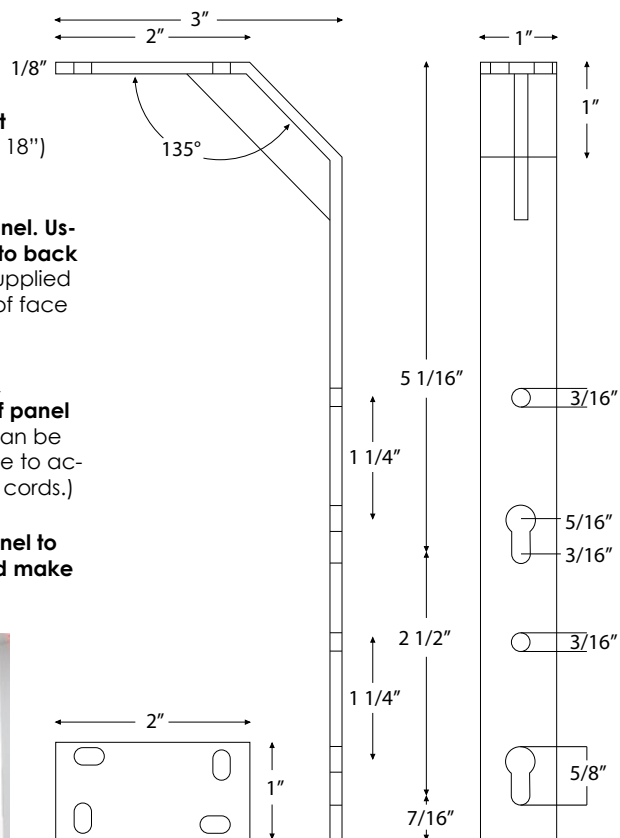
4 Easy-to-follow Installation Steps:

1. Measure and mark desired location of brackets on back of panel. Ensure bracket locations do not interfere with hardware. (Install every 18")

2. Place brackets flat on back of panel. Using provided screws, attach brackets to back of panel. (Warning: using screws not supplied with bracket can lead to penetration of face of panel.)

3. Using the holes on top of bracket, measure and mark desired location of panel on the underside of the desk. (Panel can be installed up to 1" away from desk edge to accommodate hardware and electrical cords.)

4. Using provided screws, attach panel to underside of desk. Check for level and make any necessary adjustments.



NOTE: Not all surfaces are plumb, square nor flat. Modifications may be necessary. It is your responsibility to determine the best installation method for your project based upon site conditions. It is the sole responsibility of the installer to meet all building codes and Soelberg has no liability.